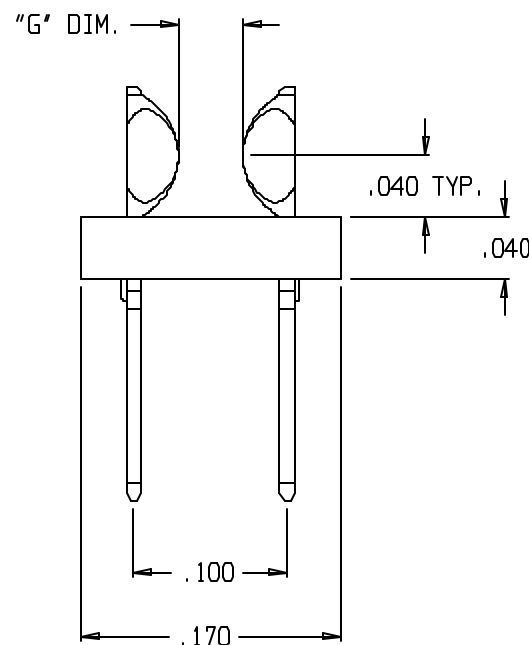
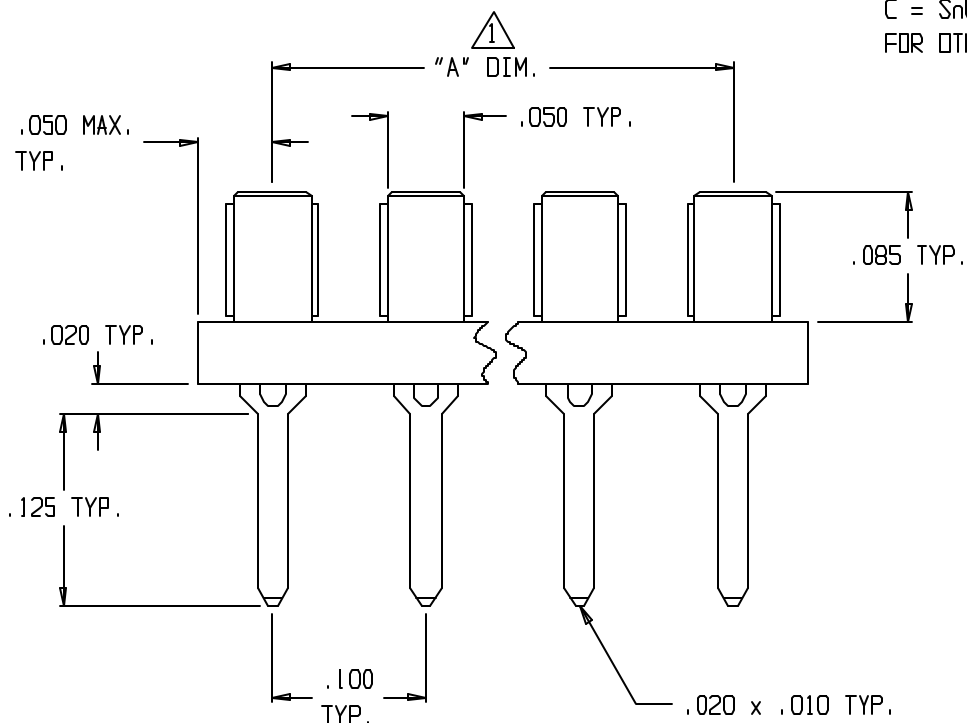


| Rev. | Revision                   | Date     | By |
|------|----------------------------|----------|----|
| 1    | RELEASED PER<br>ECN 95-033 | 10/06/95 | G. |

ORDERING CODE:

PART # EA25 XX -D XX C -00C


SERIES \_\_\_\_\_  
NUMBER OF POSITIONS \_\_\_\_\_  
PER ROW (10 - 44)  
"G" DIMENSION \_\_\_\_\_  
45 = .045  
56 = .056  
SOLDER / FLUX TYPE \_\_\_\_\_  
C = Sn60 Pb40 RMA  
FOR OTHER TYPES, CONSULT FACTORY



NOTES:

1. "A" DIMENSION EQUALS NUMBER OF POSITIONS PER ROW TIMES .100 MINUS .100. SIZES RANGING FROM 10 TO 44 POSITIONS PER ROW ARE AVAILABLE.

2. MATERIAL: HOUSING - HIGH TEMPERATURE FIBERGLASS REINFORCED THERMOPLASTIC  
CONTACT - COPPER ALLOY  
FINISH - 150 MICROINCHES TIN/LEAD.

| NET ASSY   |  | Material: | Drawn by:     | Date:    | <br>AN INVERTEK INDUSTRIES CO.<br>TEL: (401) 775-4100 FAX: (401) 771-9731 | 100 FIDELITY AVE.<br>MIDDLETOWN, R.I.<br>02839 |
|--|--|-----------|---------------|----------|--|--|
| Unless otherwise specified dimensions are in inches. Tolerances are:<br>Fractions Decimals Angles<br>±.004 ±.005 ±1" |  | Spec:     | T. GRAY       | 10/06/95 |  | <b>EA25XX-DXXC-00C</b>                         |
| All dimensions shown are other plating. Remove burrs and sharp edges.  |  | Finish:   | Checked by:   | Date:    |  |  |
| Title: .100 x .100 SQUARE EDGE CLIP ASSEMBLY   |  | Ref. No.: | Lead's Ack'd: | Ref No.: | Scale: 10 : 1  |  |
| File Name: EA25XXR1  |  |           |               |          |  |  |