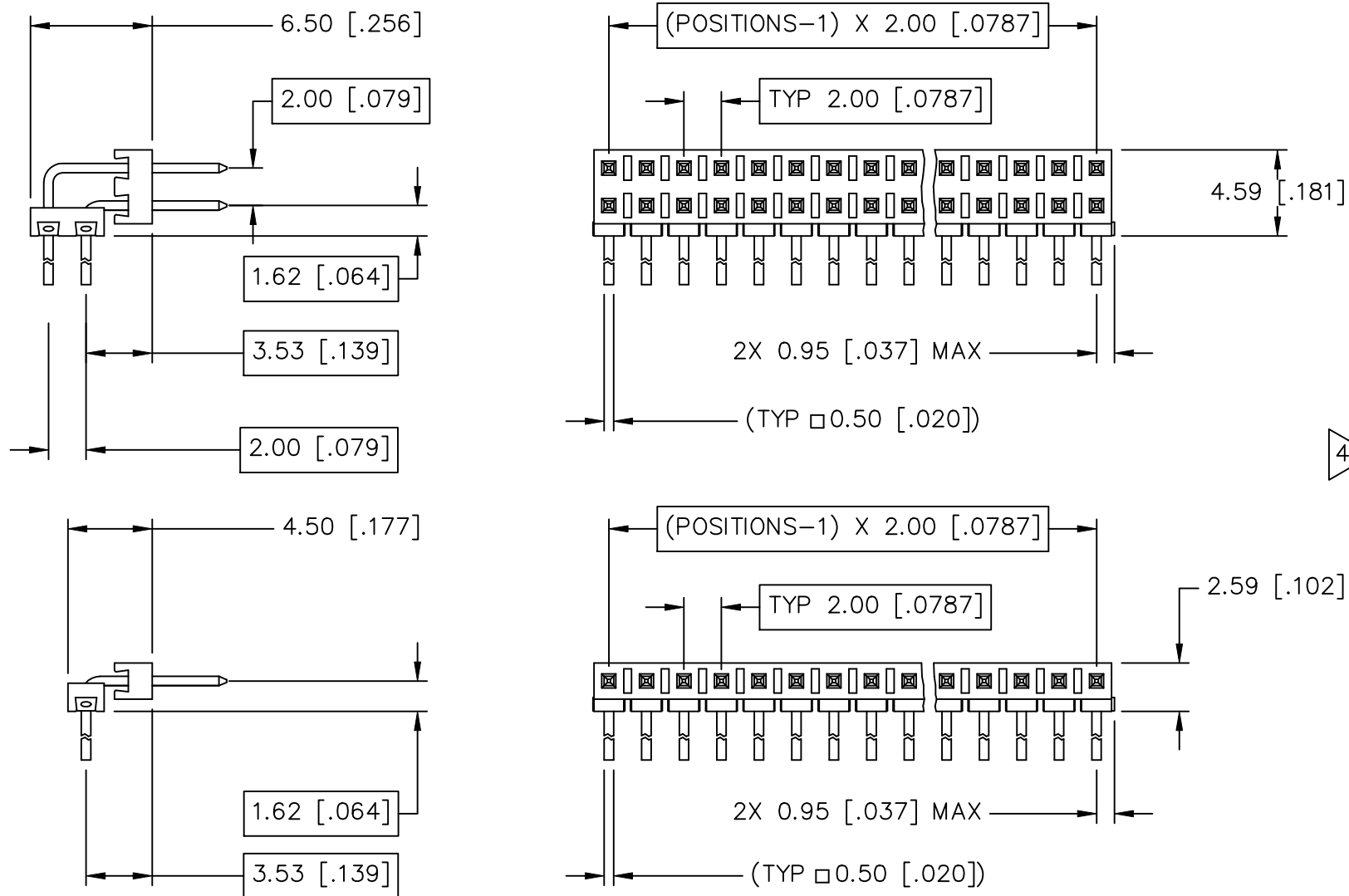


Rev	Description	Date	By
B	INITIAL RELEASE	03/10/03	JSC



PART NUMBER DESCRIPTION

SERIES DESIGNATOR: RM

HEADER R/A - 2MM: A 1

NUMBER OF ROWS: B

POSITIONS PER ROW: 02 - 36

POST LENGTH: A - 3.95 [.156]

MATING ZONE LENGTH: 4

1 - 3.00 [.118]

DESIGN VARIATION: 00 - STANDARD

SOLDER TAIL STYLE: S - STRAIGHT, R - RETENTIVE

SOLDER TYPE (TIN-LEAD 63-37): D - NO-CLEAN FLUX, U - SOLID CORE, 0 - NO SOLDER

SOLDER TAIL LENGTH: B - 2.00 [.079]

CONTACT FINISH DESIGNATION 4		
DESIGNATION	MATING ZONE	SOLDER TAIL
S	GOLD - FLASH	GOLD - FLASH
2	GOLD - 10 MICROINCHES	GOLD - 10 MICROINCHES
T	GOLD - FLASH	TIN-LEAD - 100 MICROINCHES
P	GOLD - 10 MICROINCHES	TIN-LEAD - 100 MICROINCHES
4	GOLD - 30 MICROINCHES MIN	TIN-LEAD - 100 MICROINCHES
K	TIN-LEAD - 100 MICROINCHES	TIN-LEAD - 100 MICROINCHES

- NOTES: UNLESS OTHERWISE SPECIFIED
- 1 INTERPRET THIS DRAWING IN ACCORDANCE WITH ASME Y14.5M - 1994
 - 2 FOR OTHER SIZES, FINISHES, SOLDER VOLUMES OR ADDITIONAL DATA CONSULT TEKA CUSTOMER SERVICE DEPARTMENT
 - 3 CONNECTOR SOLDER VOLUME BASED ON APPLICATION TO A 1.58±0.18 [.062±.007] THICK PRINTED CIRCUIT BOARD
 - 4 INDICATED DIMENSION APPLICABLE TO SELECTIVE CONTACT FINISHES ONLY

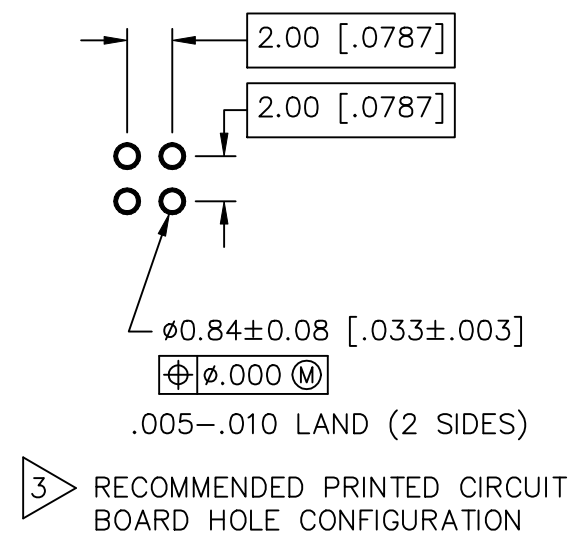
MATERIALS:

HOUSING: HIGH TEMPERATURE THERMOPLASTIC, UL RATED 94-V0

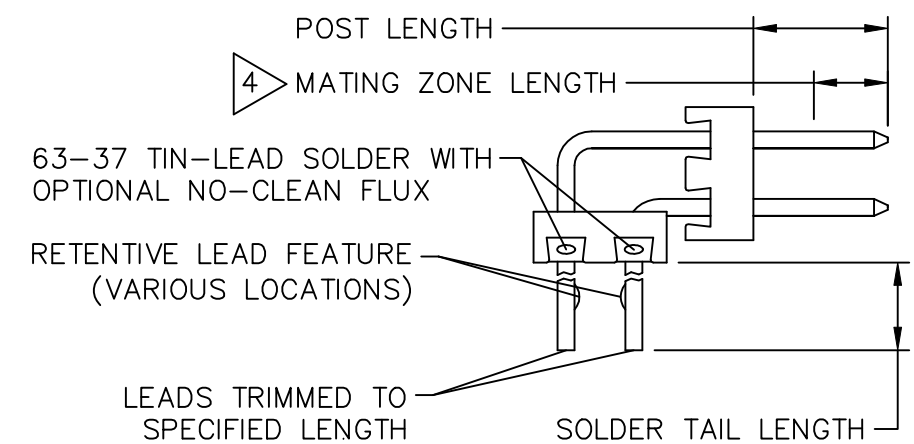
CONTACT: COPPER ALLOY


SOLDER: SEE PART NUMBER DESCRIPTION

CONTACT FINISH: SEE PART NUMBER DESCRIPTION



3 RECOMMENDED PRINTED CIRCUIT BOARD HOLE CONFIGURATION



Unless otherwise specified: All dimensions are: mm [Inches]	Drawn by: J CACHINA	Date: 02/26/03	 AN INTERPLEX INDUSTRIES CO. 100 PIONEER AVE WARWICK, R.I. 02888 TEL: (401) 785-4110 FAX: (401) 781-5730 E-MAIL: sales@tekais.com
-Tolerances- No of places mm [IN] one ±0,5 ±.020 two ±0,25 ±.010 three ±0,13 ±.005 Angular ±2°	Checked by: JSC	Date: 02/26/03	
Title: R/A SOLDER BEARING HDR - 2.00 MM PITCH		Part No: RM___A1_B___00	
Ref No: S20306		Scale: 3:1	Sheet 1 of 1