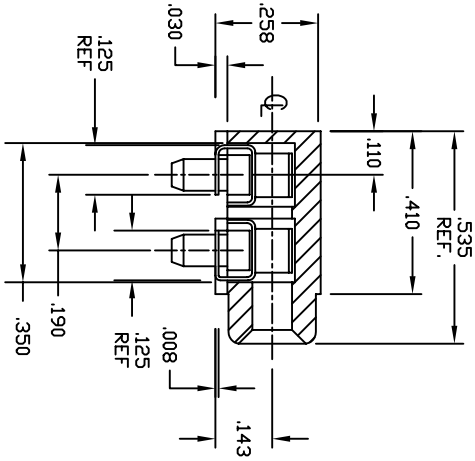
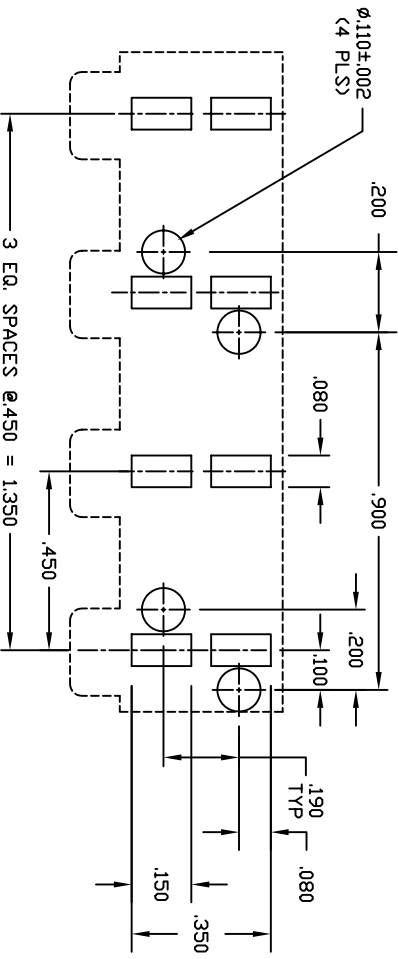


NOTES:

- MATERIALS AND FINISH:**
INSULATOR - HI-TEMP GLASS FILLED THERMOPLASTIC, 94W-0 RATED.
CONTACT MATERIAL - BERYLLIUM COPPER
CONTACT PLATING - .000200 MATE FINISH 60/40 Sn/Pb OVER .000050 Ni
- ELECTRICAL CHARACTERISTICS:**
INSULATION RESISTANCE - 5000 MEGOHMS
- MECHANICAL CHARACTERISTICS:**
OPERATING TEMPERATURE - -55C TO +125C.
MAX. PROCESSING TEMPERATURE - 230C FOR 80 SECONDS.
LEAD COMPLIANT - .006 MAX.

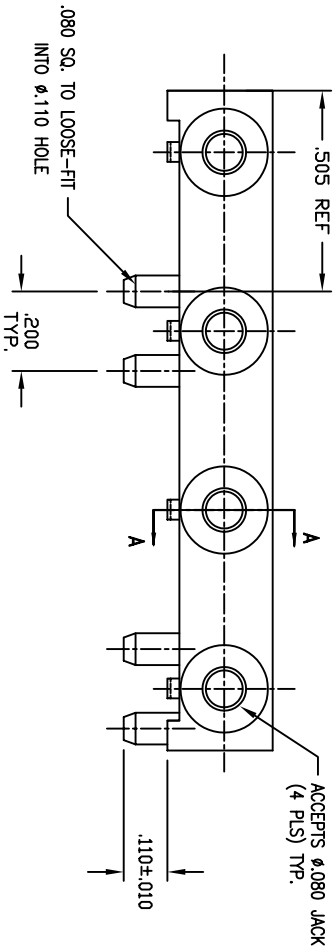
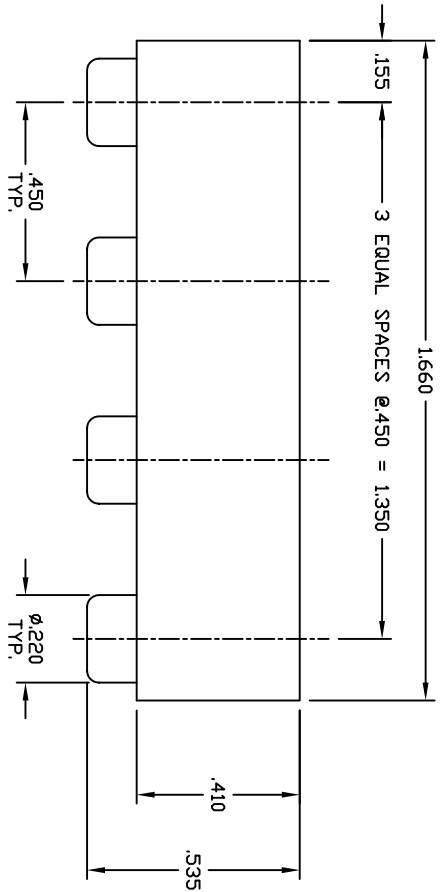


SECTION A-A



RECOMMENDED PCB LAYOUT

REVISIONS			
REV	DESCRIPTION	DATE	APPROVED
A	INITIAL RELEASE (ESR #1053)	09-04-97	JWM
B	SEE ESR #1546	10-19-98	JWM
C	SEE ESR #1546A	11-17-98	JWM



APPROVED	
NAME	DATE
DESIGN JWM	09-97
CHECKED JMP	09-97
QUALITY DKJ	09-97
APPROVED JWM	09-97

THE INFORMATION, DATA AND/OR SPECIFICATIONS CONTAINED ON THIS DRAWING ARE PROPRIETARY TO A.W. INDUSTRIES AND MAY NOT BE COPIED, REPRODUCED OR DISCLOSED IN ANY MANNER WITHOUT THE WRITTEN PERMISSION OF A.W. INDUSTRIES.

ALL DIMENSIONS ARE IN INCHES.

TOLERANCES:
DECIMAL .XX ±.015
XXX ±.005
ANGLE ±1/2°

TITLE		.080 TEST JACK	
SURFACE MOUNT, QUAD LAYOUT P		A.W. Industries, Incorporated	
6788 N.W. 17th AVENUE		8804P-1SM	
Fort Lauderdale, FL 33309		8804P-1SM	
SCALE NONE	ACAD FILE NO. 03-0550-0C	SHEET 1	OF 1