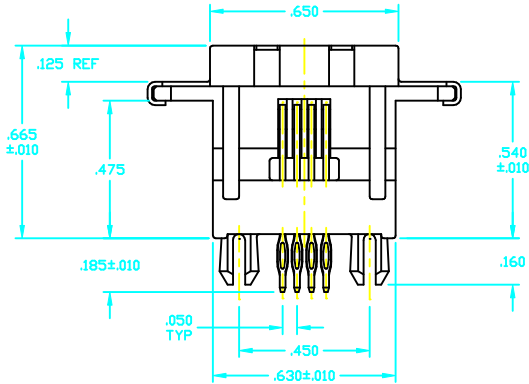
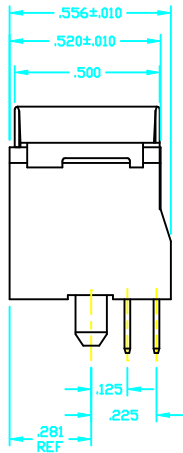
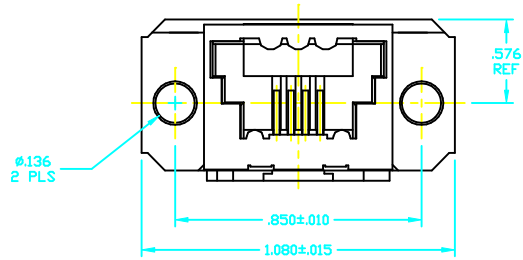
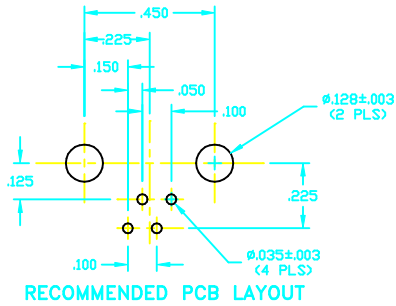




A.W. Industries, Inc.  
AN ISO 9001 COMPANY

# 6804 SERIES MODULAR JACK, SHIELDED, PCB MOUNTED COMPLIANT PIN PRESS FIT AND SOLDER TAILS



RECOGNIZED UNDER THE  
COMPONENT PROGRAM  
OF UNDERWRITERS  
LABORATORIES INC.  
FILE NO. E151639



CERTIFIED BY  
CANADIAN STANDARDS  
ASSOCIATION,  
FILE NO. LR 101045



## PART NUMBERING

68 04 P - 4 62 - XXX

SERIES  
NUMBER OF CONTACTS  
04 - 4 POSITION  
(Consult factory for other options)

TERMINATION  
S - SOLDER TAILS  
P - COMPLIANT PIN PRESS FIT

PCB THICKNESS (PEG TYPE)  
4 - .062/.125 (PRESS IN)  
(Consult factory for other options)

PLATING CODE  
52 - .000030 Au OVER .000050 Ni ON CONTACT AREA,  
TAIL AND COMPLIANT SECTION .000100 SnPb.  
62 - .000050 Au OVER .000050 Ni ON CONTACT AREA,  
TAIL AND COMPLIANT SECTION .000100 SnPb.

(Consult factory for other options)

VARIATION CODE

## MATERIALS AND FINISH:

INSULATOR - GLASS FILLED THERMO-PLASTIC  
POLYESTER, 94V-0 RATED, BLACK.  
CONTACT MATERIAL - PHOSPHOR BRONZE  
CONTACT PLATING - SEE PART NUMBERING.  
SHIELD - BRASS.  
SHIELD PLATING - BRIGHT TIN.

## ELECTRICAL CHARACTERISTICS:

CONTACT RESISTANCE - 20 MILLIOHMS MAX.  
DIELECTRIC WITHSTANDING VOLTAGE - 1000 VAC.  
INSULATION RESISTANCE - 5000 MEGOHMS.  
CONTACT CURRENT RATING - 1.5 AMPS AT 30°C.  
SHIELDING EFFECTIVENESS:

70 MHz TO 500 MHz - 20 dB MIN.  
500 MHz TO 1 GHz - 10 dB MIN.

## MECHANICAL CHARACTERISTICS:

OPERATING TEMPERATURE - -55° TO +105°C.  
DURABILITY - 200 CYCLES MIN. (Dependent upon  
contact plating selecting).  
INSERTION FORCE - COMPLIANT SECTION 30 LB.  
MAX PER CONTACT  
WITHDRAWAL FORCE - COMPLIANT SECTION 6 LB.  
MIN PER CONTACT

## HOLE SIZE REQUIREMENTS:

DRILLED HOLE -  $\phi$ .040±.001  
COPPER PLATING - .001 - .003  
SOLDER PLATING - .0003 MIN.  
FINISHED HOLE -  $\phi$ .035±.002