

REVISIONS		
REV	DESCRIPTION	DATE
A	INITIAL RELEASE (ESR 1167)	11-11-97
		JWM

**NOTES:**

1. MATERIAL:

INSULATOR MATERIAL - GLASS FILLED THERMO-PLASTIC POLYESTER, 94Y-0 RATED, BLACK.

CONTACT MATERIAL - CDA 510.

CONTACT PLATING - .000030 Au OVER .000050 Ni ON CONTACT POINT, TAIL AND COMPLIANT SECTION .000100 MATTE FINISH 60/40 SnPb.

2. ELECTRICAL CHARACTERISTICS:

CONTACT RESISTANCE - CONTACT TO DAUGHTER CARD - 10 MILLIOHMS, COMPLIANT SECTION TO P.T.H. - 2MILLIOHMS.

DIELECTRIC WITHSTANDING VOLTAGE - 1800 VAC.

INSULATION RESISTANCE - 5000 MEGOHMS.

CONTACT CURRENT RATING - 3 AMPS AT 30°C.

3. MECHANICAL CHARACTERISTICS:

OPERATING TEMPERATURE - -55° TO +125°C.

DURABILITY - PER BELLCORE TR-NWT-000078.

INSERTION FORCE - COMPLIANT SECTION 40 lbs MAXIMUM PER CONTACT.

WITHDRAWAL FORCE - COMPLIANT SECTION 10 lbs MINIMUM PER CONTACT.

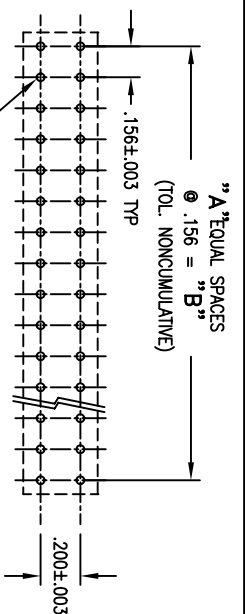
HOLE SIZE REQUIREMENTS:

DRILLED HOLE DIA. .0453±.001, PLATING: .001 TO .003 COPPER AND .0001 TO .0008 SOLDER.

FINISHED HOLE DIA. .040±.003.

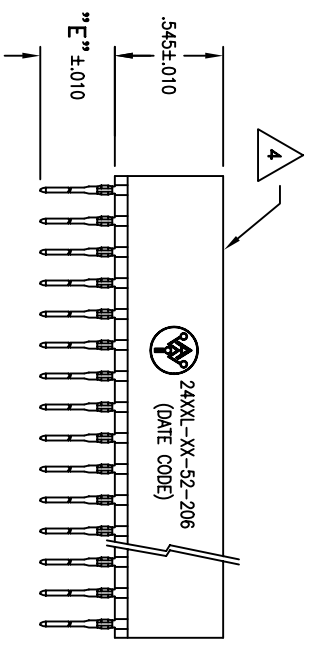
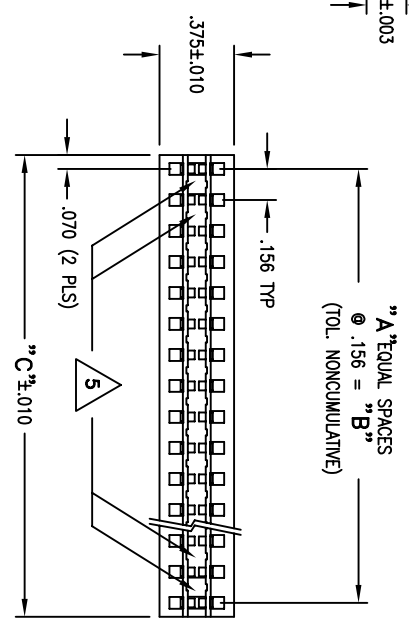
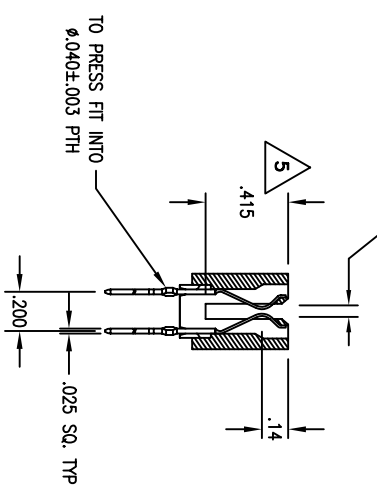
4. FLAT ROCK ASSEMBLE TO BACKPANEL NO SPECIAL TOOL REQUIRED. BACKPANEL MIN. THICKNESS TO BE .093.

5. .300 AND .350 CARD SLOT DEPTH CONTROLLED BY THESE SURFACES ONLY.



**RECOMMENDED PCB LAYOUT**

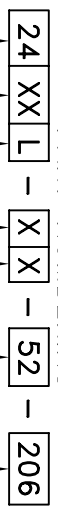
ACCEPTS  
.054 - .071  
P.C. BOARDS



**DIMENSIONS**

	A	B	C	E
NUMBER OF EQUAL SPACES	X	X	X	X
NUMBER OF EQUAL SPACES	X	.156	X	.140
TAIL LENGTH: SEE PART NUMBERING				

**PART NUMBERING**



VARIATION CODE: 206 - BOTH ENDS OPEN (MODULAR) .070 DIM AT THE ENDS

PLATING CODE (SEE NOTES)

TAIL LENGTH (E DIMENSION)

1 - .190  
2 - .375  
3 - .465  
4 - .570  
5 - .710

CARD SLOT DEPTH (SEE NOTE 4)

1 - .415  
2 - .350  
3 - .300

APPROVED	
NAME	DATE
JWM	11-97
JMP	11-97
DKJ	11-97
JWM	11-97

ALL DIMENSIONS ARE IN INCHES.

TOLERANCES:

DECIMAL .XX ±.015  
.XXX ±.005

ANGLE ±1/2°

**A.W. Industries, Incorporated**

6788 N.W. 17th AVENUE  
Fort Lauderdale, FL 33309

24XXL-XX-52-206

DATE CODE

SCALE NONE

SHEET 1 OF 1