

Rev	Description	Date	By
A	INITIAL RELEASE	09/16/05	JSC

TABLE I - PC\104 PRODUCT DESCRIPTION					TABLE II - PC\104 FINISH DESCRIPTION (MICROINCHES)		
PART NUMBER	POSITIONS (2X)	A±.010	B	C±.010	FEMALE INTERFACE GOLD	MALE INTERFACE GOLD	SOLDER TAIL PURE TIN
PC206-A-1BD075-M	06	.620	.500	.075	20 MINIMUM	NOT APPLICABLE	100 MIN

NOTES: UNLESS OTHERWISE SPECIFIED

- 1 INTERPRET THIS DRAWING IN ACCORDANCE WITH ASME Y14.5M-1994
- 2 THIS PRODUCT CONFORMS TO ALL APPLICABLE PC\104 CONNECTOR SPECIFICATIONS.
- 3 FOR OTHER SIZES, FINISHES OR ADDITIONAL DATA CONTACT TEKA'S CUSTOMER SERVICE DEPARTMENT.

MATERIALS:

HOUSING: HIGH TEMPERATURE THERMOPLASTIC, UL RATED 94-V0  
CONTACT: PHOSPHOR BRONZE ALLOY  
SOLDER: SAC 305  
SOLDER CLIP: ALUMINUM ALLOY

CONTACT FINISH:

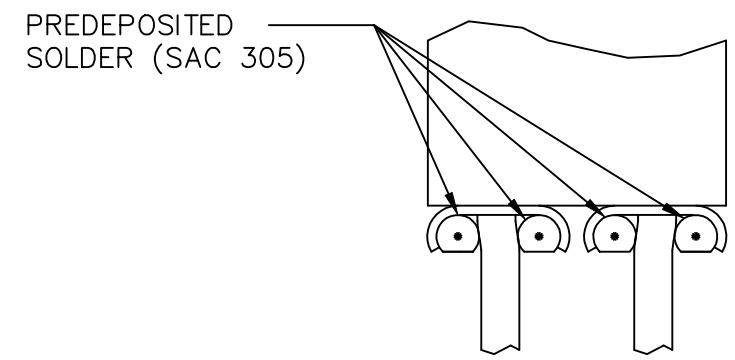
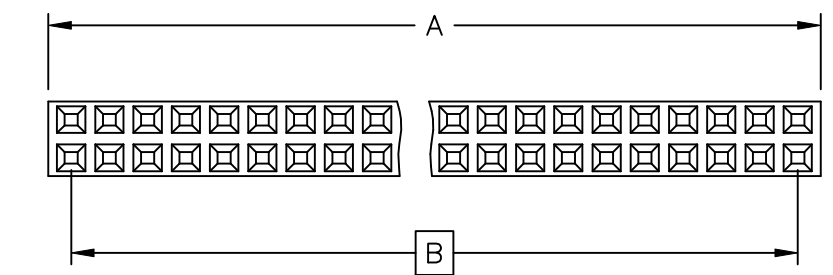
FEMALE INTERFACE: (SEE TABLE II)  
MALE INTERFACE: (SEE TABLE II)  
SOLDER TAIL: (SEE TABLE II)  
UNDERPLATE: 50 MICROINCHES MINIMUM NICKEL

PERFORMANCE CHARACTERISTICS - MECHANICAL

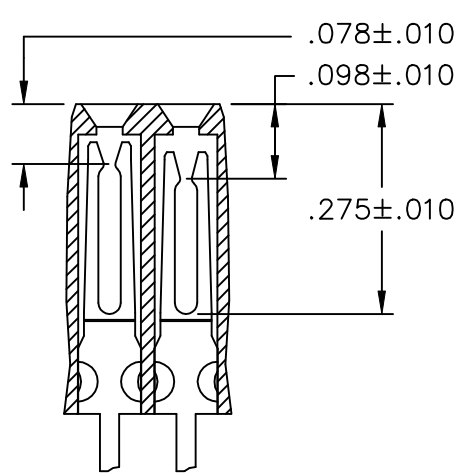
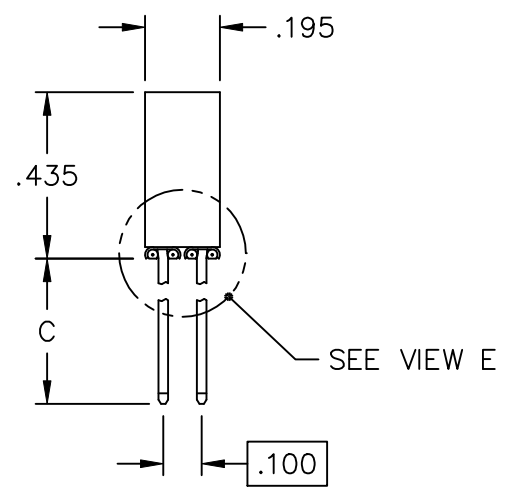
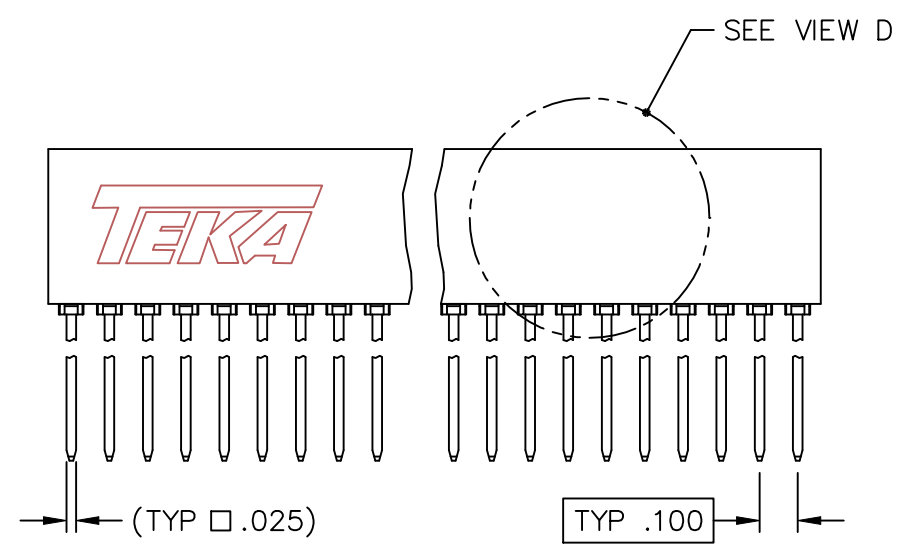
INSERTION FORCE: 2.5 OZ PER CONTACT MAX AVG  
WITHDRAWAL FORCE: 1 OZ MIN AVG  
NORMAL FORCE: 50 GRAMS MIN (PER BEAM) EOL  
DURABILITY: 25 CYCLES MINIMUM  
OPERATING TEMP: -55°C - 85°C

PERFORMANCE CHARACTERISTICS - ELECTRICAL

CONTACT RESISTANCE: 20 MILLIOHMS MAX INITIAL W/  
30 MILLIOHMS MAX AFTER TEST  
CURRENT CAPACITY: 3 AMPS MAX PER CONTACT  
DIELECTRIC STRENGTH: 1000 VAC  
INSULATION RESISTANCE: 10,000 MEGAOHMS MIN

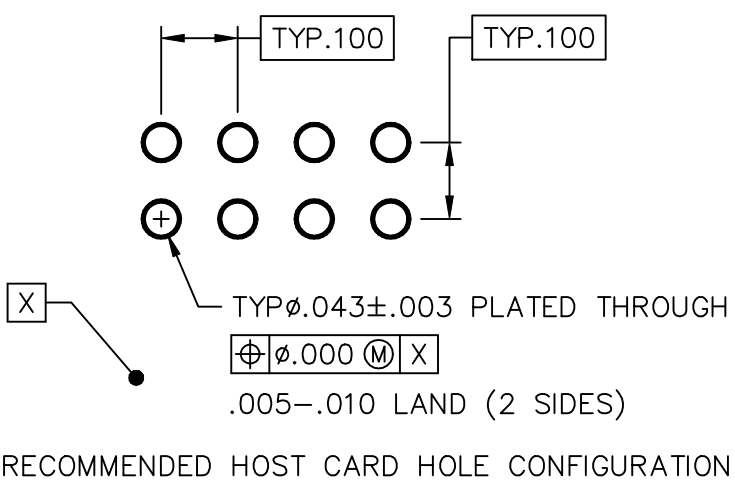


VIEW E - SCALE=8:1




VIEW D - SCALE=4:1

LOW INSERTION FORCES ARE ACHIEVED THROUGH A STEPPED INSERTION



RECOMMENDED HOST CARD HOLE CONFIGURATION

Unless otherwise specified: All dimensions are: Inches [mm]	Drawn by: J CACHINA	Date: 09/16/05	 AN INTERPLEX INDUSTRIES CO. 100 PIONEER AVE WARWICK, R.I. 02888 TEL:(401) 785-4110 FAX:(401) 781-5730 E-MAIL: sales@teka.com <a href="http://www.teka.com">HTTP://WWW.TEKAS.COM</a>
	Checked by: JSC Date: 09/16/05		
-Tolerances-	Title: SOLDER BEARING RECEPT - .100 PITCH (ROHS COMPLIANT)		Part No: PC206-A-1BD075-M
No of places	IN	[mm]	Scale: 2:1
one	±.1	±2,54	Sheet 1 of 1
two	±.02	±0,5	
three	±.005	±0,13	
Angular	±1°		Ref No: S20563