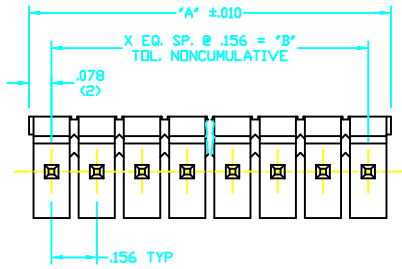




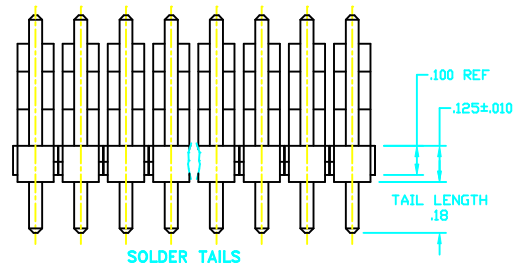
A.W. Industries, Inc.
AN ISO 9001 COMPANY

.045 SQ. HEADER .156 CENTERS, SOLDER OR PRESS FIT W/LOCKING WALL

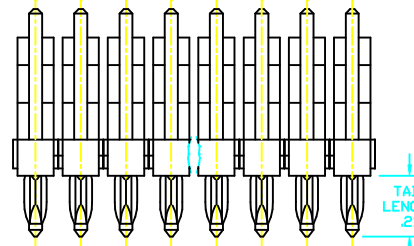
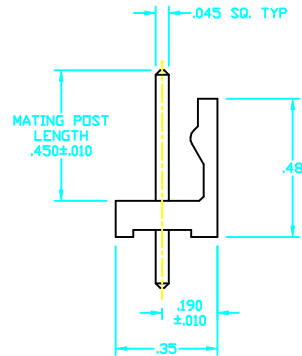


A = The number of equal spaces X .156 + .156
B = The number of equal spaces X .156

TO DETERMINE THE NUMBER OF EQUAL SPACES, SUBTRACT ONE (1) FROM THE NUMBER OF DESIRED CONTACT POSITIONS, I.e. A 10 POSITION HEADER HAS 9 EQUAL SPACES.



SOLDER TAILS



PRESS FIT TAILS

RECOGNIZED UNDER THE COMPONENT PROGRAM OF UNDERWRITERS LABORATORIES INC. FILE NO. E151639



CERTIFIED BY CANADIAN STANDARDS ASSOCIATION, FILE NO. LR 101045



MATERIALS AND FINISH:

- INSULATOR - THERMOPLASTIC UL 94V-0 RATED COLOR BLACK.
- CONTACTS- PHOSPHOR BRONZE (PRESS FIT TAILS) BRASS (SOLDER TAILS)
- CONTACT PLATING - SEE PART NUMBERING.

ELECTRICAL CHARACTERISTICS:

- DIELECTRIC WITHSTANDING VOLTAGE- 1800 VRMS.
- INSULATION RESISTANCE- 5000 MEGOHMS.
- CONTACT CURRENT RATING- 12 AMPS AT 30°C.

MECHANICAL CHARACTERISTICS:

- OPERATING TEMPERATURE- -55° TO +105°C.
- INSERTION FORCE- COMPLIANT SECTION 40 lbs MAXIMUM PER CONTACT.
- PUSHOUT FORCE- COMPLIANT SECTION 10 lbs MINIMUM PER CONTACT.
- HOLE SIZE REQUIREMENTS (PRESS FIT APPLICATION):
DRILLED HOLE DIA: .078±.001
PLATING: .001/.003 Copper and .0003 min. Solder FINISHED HOLE DIA: .070/.075.
- HOLE SIZE REQUIREMENTS (SOLDER APPLICATION):
FONISHED HOLE DIA: .068 MIN.

PART NUMBERING

SL 45 24 - 45 - 77 - 18 S

- CONFIGURATION
SL - Single Row with Locking Wall
- SERIES
45 - .045 SQ. Header
- NO. OF POSITIONS
Single Row - 02 thru 24
- MATING POST LENGTH
45 - .450 (STANDARD)
(Consult factory for other options)
- TERMINATION
S - Dip Solder
P - PRESS FIT
- TAIL LENGTH
18- .18 (SOLDER TAIL STANDARD)
21- .21 (PRESS FIT TAIL STANDARD)
(Consult factory for other options)
- PLATING CODE
22 - .000010 in Gold on contact area over .000050 in Ni, .000100 SnPb on Tail.
24 - .000010 in Gold on contact area over .000050 in Ni, flash Gold on Tail.
52 - .000030 in Gold on contact area over .000050 in Ni, .000100 SnPb on Tail.
54 - .000030 in Gold on contact area over .000050 in Ni, flash Gold on Tail.
77 - .000100 in Sn/Pb over .000050 in Ni.
(Consult factory for other options)