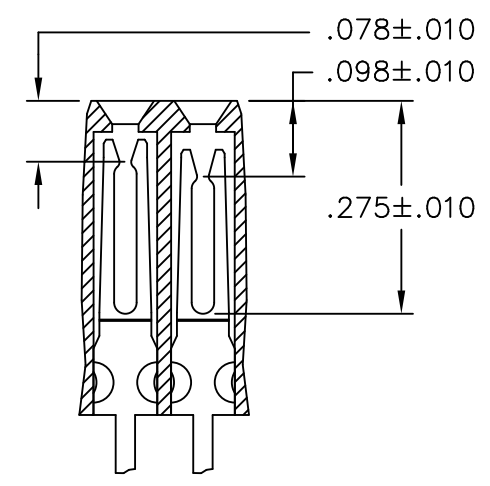
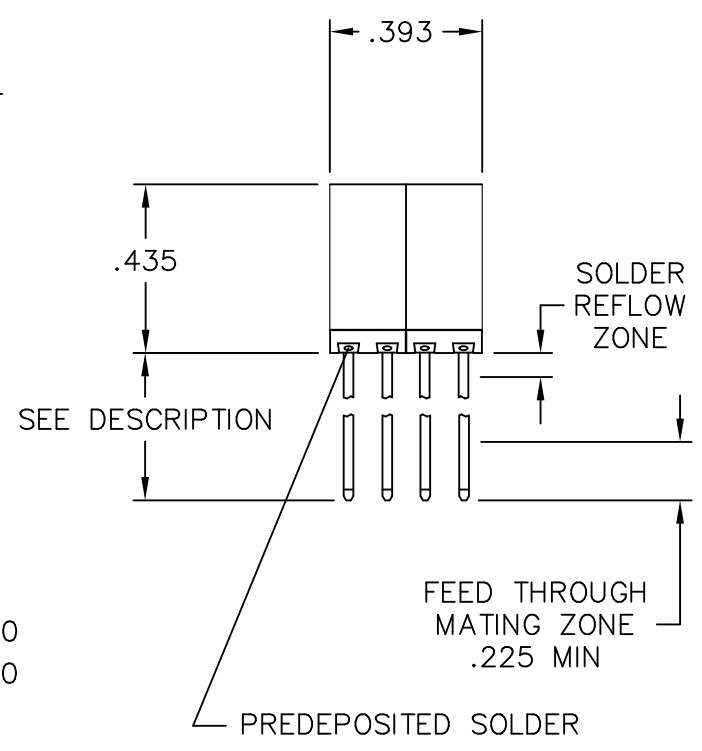
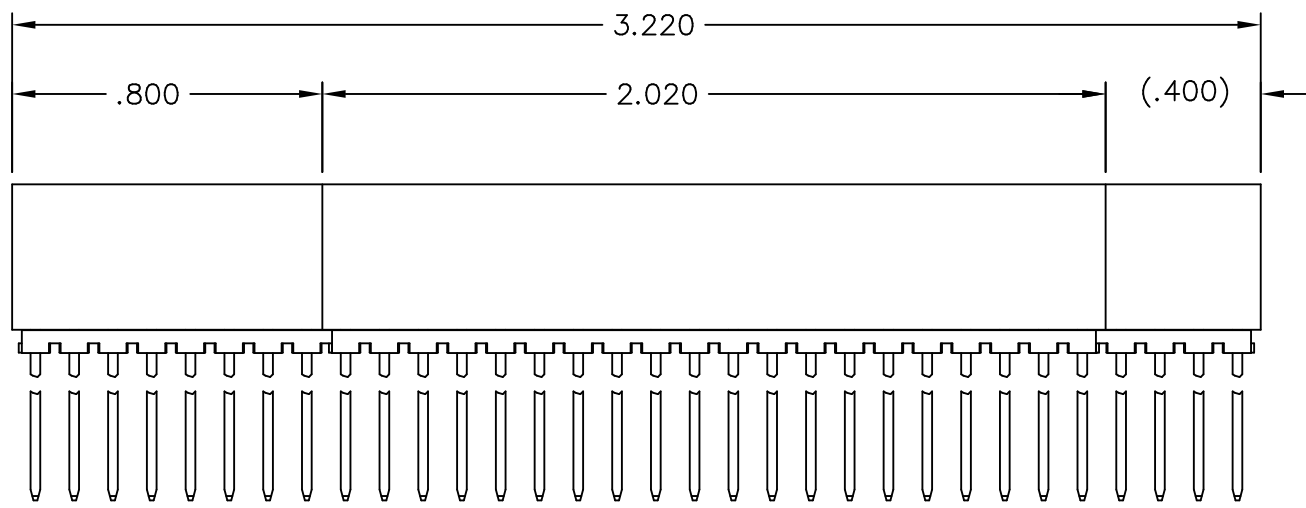
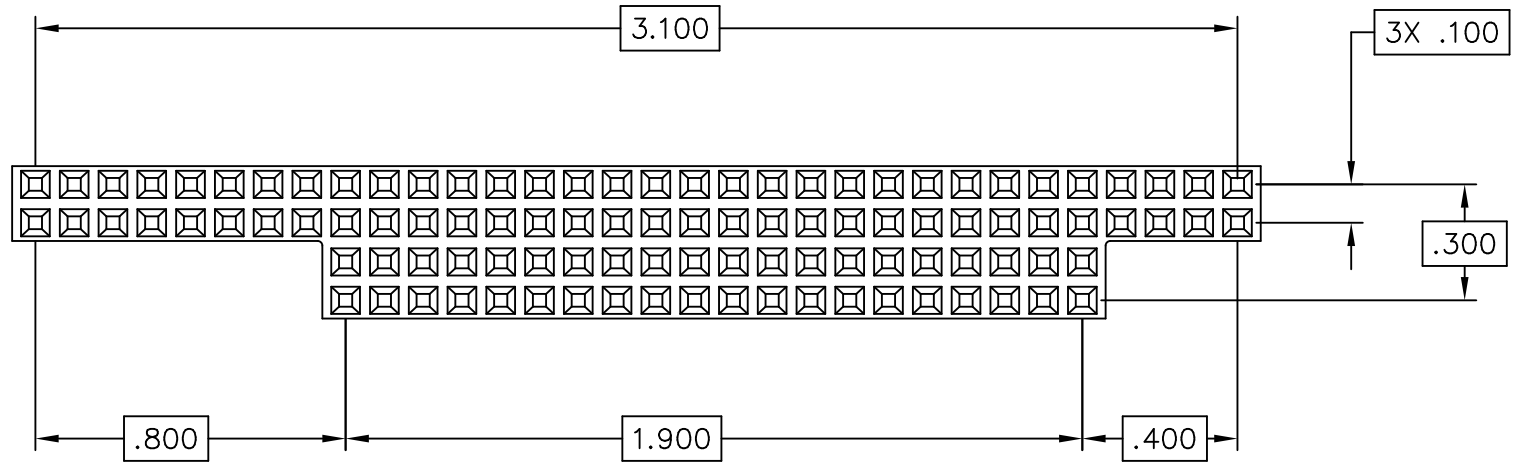
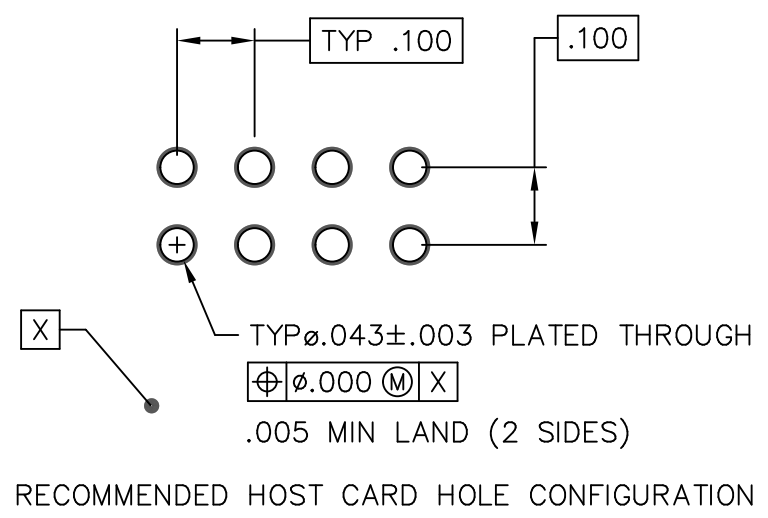


Rev	Description	Date	By
F	SEE ESR 140106-HL-1	01/06/14	JSC



VIEW D - SCALE=4:1

LOW INSERTION FORCES ARE ACHIEVED THROUGH A STEPPED INSERTION



**MATERIALS:**

HOUSING/WAFER: HIGH TEMPERATURE THERMOPLASTIC, UL RATED 94-V0  
 CONTACT: PHOSPHOR BRONZE ALLOY  
 SOLDER: (SEE PART NUMBER DESCRIPTION)

**CONTACT FINISH:**

FEMALE INTERFACE: (SEE TABLE I)  
 SOLDER TAIL/FEED THROUGH: (SEE TABLE I)  
 SOLDER REFLOW ZONE 100 MICROINCHES PURE TIN  
 UNDERPLATE: 50 MICROINCHES MIN NICKEL

**PERFORMANCE CHARACTERISTICS - MECHANICAL**

INSERTION FORCE: 2.5 OZ PER CONTACT MAX AVG  
 WITHDRAWAL FORCE: 1 OZ MIN AVG  
 NORMAL FORCE: 50 GRAMS MIN (PER BEAM) EOL  
 DURABILITY: 25 CYCLES MINIMUM  
 OPERATING TEMP: -55°C - 85°C

**PERFORMANCE CHARACTERISTICS - ELECTRICAL**

CONTACT RESISTANCE: 20 MILLIOHMS MAX INITIAL W/  
 30 MILLIOHMS MAX AFTER TEST  
 CURRENT CAPACITY: 3 AMPS MAX PER CONTACT  
 DIELECTRIC STRENGTH: 1000 VAC  
 INSULATION RESISTANCE: 10,000 MEGAOHMS MIN

Unless otherwise specified: All dimensions are: Inches [mm] -Tolerances- No of places IN [mm] one ±.1 ±2,54 two ±.02 ±0,5 three ±.010 ±0,25 Angular ±5°	Drawn by: J CACHINA	Date: 09/15/05	 AN INTERPLEX INDUSTRIES CO. 100 PIONEER AVE WARWICK, R.I. 02888 TEL: (401) 785-4110 FAX: (401) 781-5730 E-MAIL: sales@tekais.com HTTP://WWW.TEKAIS.COM
	Checked by: JSC	Date: 09/15/05	
Title: SOLDER BEARING PC/104 CONNECTOR		Part No: PC___-W1___-	
Ref No: S20903		Scale: 2:1	Sheet 1 of 2

Rev	Description	Date	By
F	ALL REVISIONS - SEE SHEET 1	01/06/14	JSC

**PART NUMBER DESCRIPTION**  
 PC \_\_\_ - W1 \_\_\_ - \_\_\_

**SERIES DESIGNATOR**  
 PC\104 TYPE RECEPTACLE

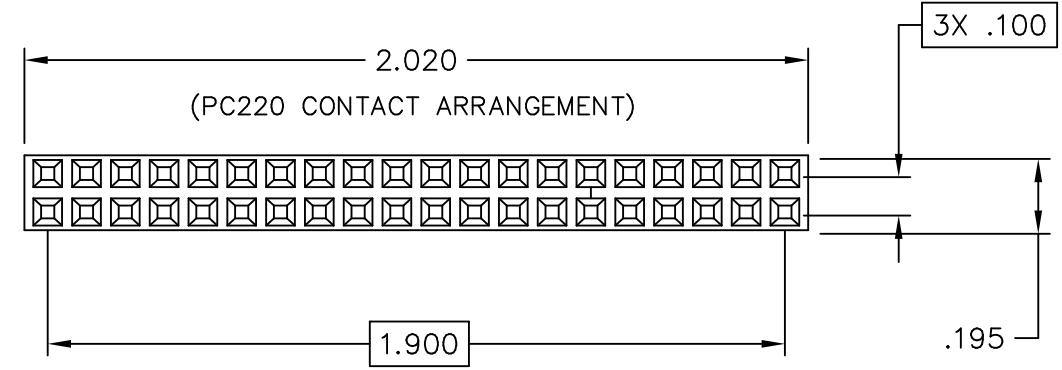
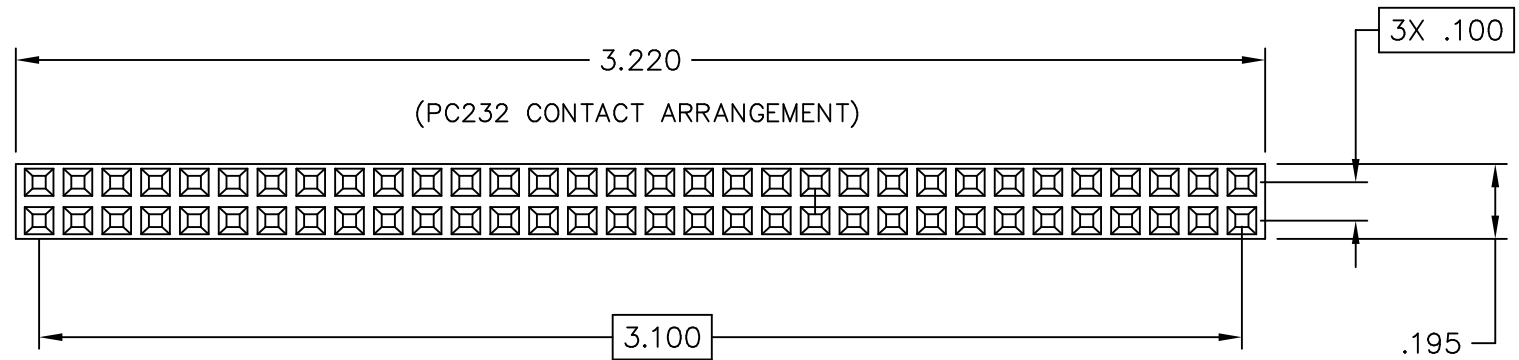
**SOLDER COMPOSITION/TYPE**  
 D - 63-37 TIN-LEAD/NO CLEAN  
 N - SAC305/NO CLEAN  
 U - 63-37 TIN-LEAD/SOLID CORE  
 M - SAC305/SOLID CORE  
 O - NO SOLDER

**CONTACT FINISH**  
 SEE TABLE I

**CONTACT ARRANGEMENT**  
 U4 - STANDARD 104 POSITION  
 220 - 2 ROWS X 20 POSITION  
 232 - 2 ROWS X 32 POSITION

**SOLDER APPLICATION**  
 W1 - SOLDER BEARING WAFER

**MALE INTERFACE / SOLDER TAIL LENGTH**  
 A - .480 (MALE INTERFACE)  
 B - .135 (SOLDERTAIL)




**TABLE I - CONTACT FINISH DESIGNATION - ROHS**

DESIGNATION	FEMALE INTERFACE	SOLDER TAIL / FEED-THROUGH
9	GOLD - 30 MICROINCHES	GOLD - 30 MICROINCHES
7	GOLD - 15 MICROINCHES	GOLD - FLASH
H	GOLD - 30 MICROINCHES	PURE TIN - 100 MICROINCHES
D	GOLD - 15 MICROINCHES	PURE TIN - 100 MICROINCHES

**NOTES: UNLESS OTHERWISE SPECIFIED**

- 1 INTERPRET THIS DRAWING IN ACCORDANCE WITH ASME Y14.5M-1994
- 2 THIS PRODUCT CONFORMS TO ALL APPLICABLE PC\104 CONNECTOR SPECIFICATIONS.
- 3 FOR OTHER SIZES, FINISHES OR ADDITIONAL DATA CONTACT TEKA'S CUSTOMER SERVICE DEPARTMENT.
- 4 ALL TIN FINISHES ARE LOW STRESS / WHISKER MITIGATING

Drawn by: J CACHINA	Date: 09/15/05	 AN INTERPLEX INDUSTRIES CO. 100 PIONEER AVE WARWICK, R.I. 02888 TEL: (401) 785-4110 FAX: (401) 781-5730 E-MAIL: sales@tekais.com
Checked by: JSC	Date: 09/15/05	
Title: SOLDER BEARING PC/104 CONNECTOR		Part No: PC___-W1___-
Ref No: S20903		Scale: --- Sheet 2 of 2