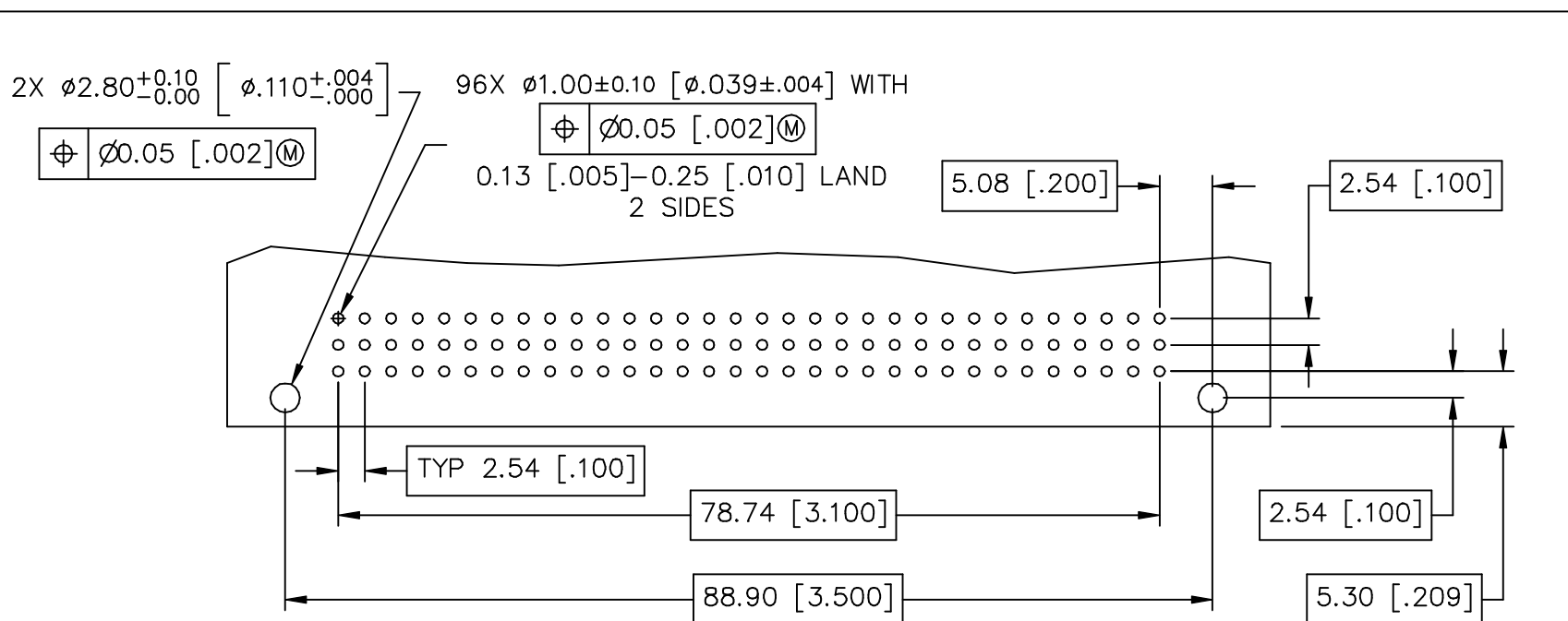
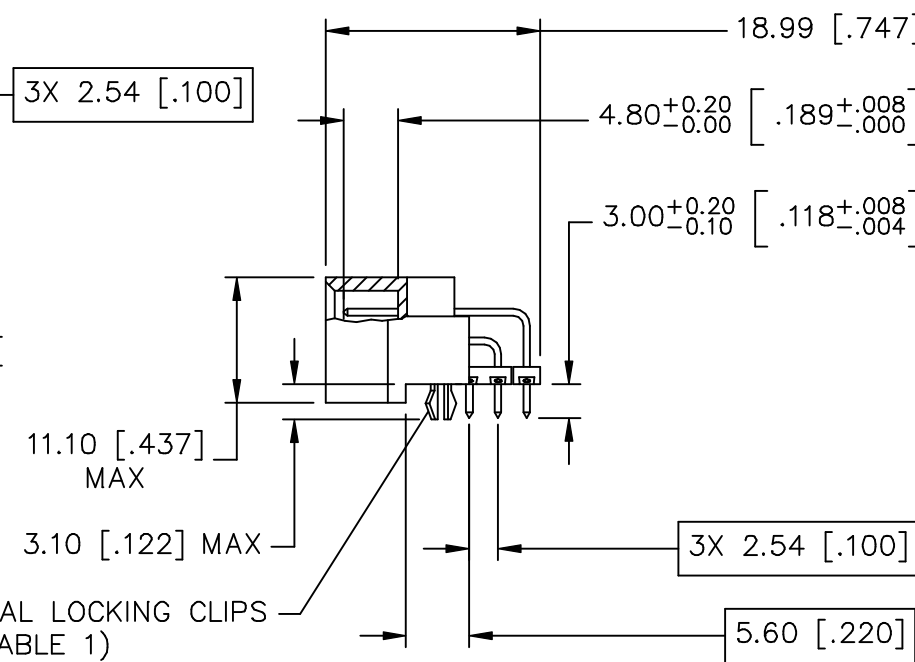
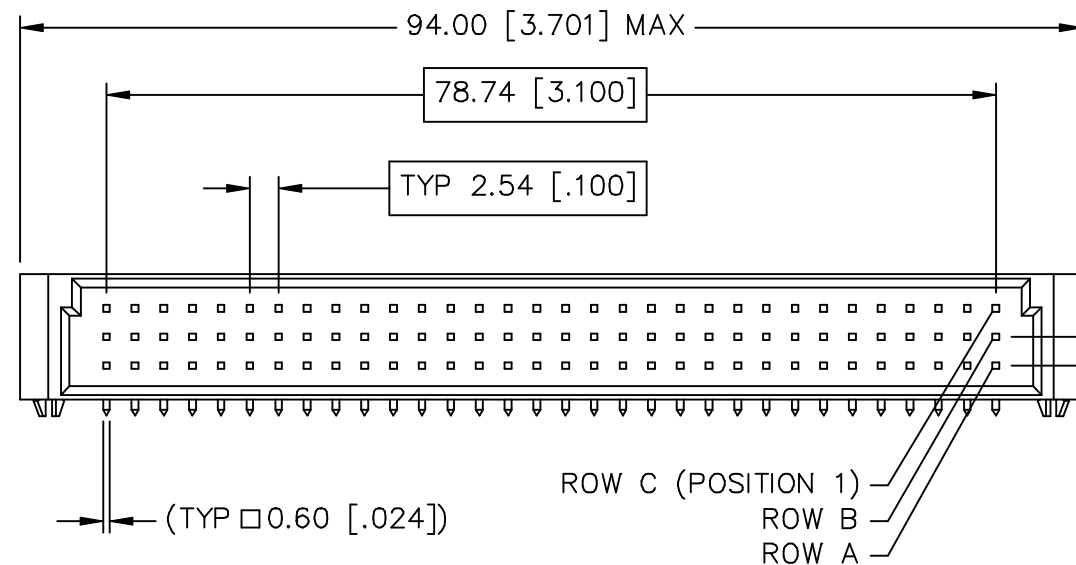
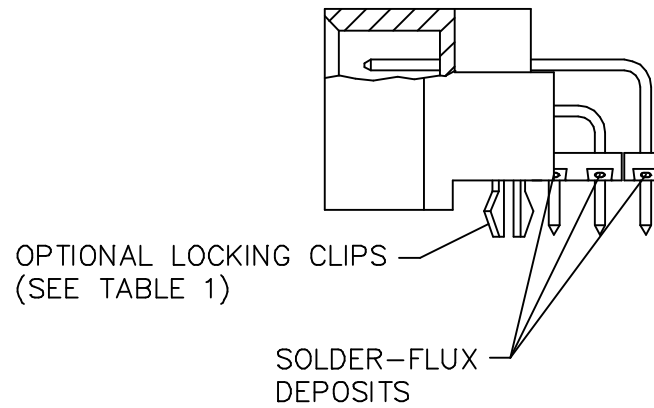
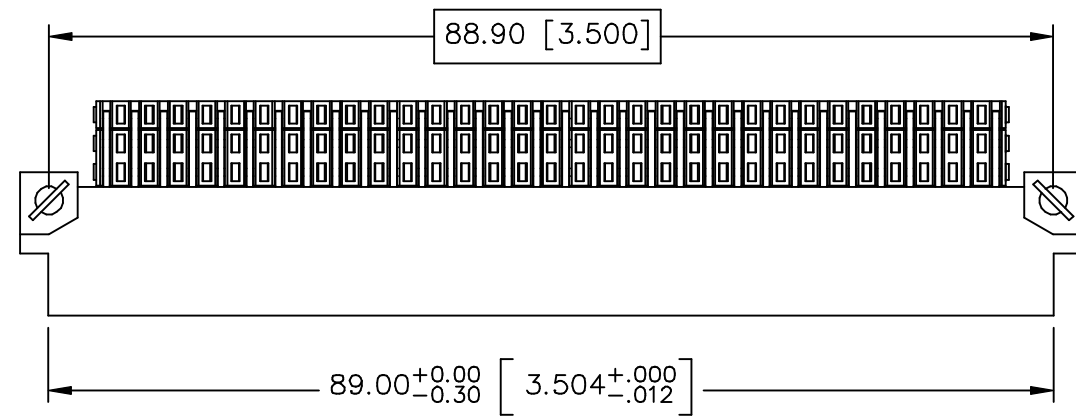


Rev	Description	Date	By
B	ADDED TYPE M SOLDER	05/28/08	JSC



MATERIALS:

HOUSING: HIGH TEMPERATURE THERMOPLASTIC, UL RATED 94-V0

CONTACT: COPPER ALLOY

MOUNTING CLIP: STEEL

SOLDER: SAC305 (SEE TABLE 2)

CONTACT FINISH:

INTERFACE AREA: 30 MICROINCHES GOLD
 SOLDER TAIL AREA: 100 MICROINCHES MIN PURE TIN
 UNDERPLATE: 50 MICROINCHES MIN NICKEL

PERFORMANCE CHARACTERISTICS – MECHANICAL

DURABILITY: 400 CYCLES MINIMUM
 OPERATING TEMP: -55°C TO +125°C


PERFORMANCE CHARACTERISTICS – ELECTRICAL

CONTACT RESISTANCE: 20 MILLIOHMS MAX INITIAL
 CURRENT CAPACITY: 1 AMP MAX PER CONTACT
 DIELECTRIC STRENGTH: 1000V (RMS)
 INSULATION RESISTANCE: 10,000 MEGAOHMS MIN

NOTES: UNLESS OTHERWISE SPECIFIED

- 1 INTERPRET THIS DRAWING IN ACCORDANCE WITH ASME Y14.5M-1994
- 2 PRODUCTS SHOWN ON THIS DRAWING CONFORM TO ALL APPLICABLE DIN SPECIFICATIONS
- 3 FOR OTHER SIZES, FINISHES OR ADDITIONAL DATA CONTACT TEKA'S CUSTOMER SERVICE DEPARTMENT
- 4 ALL TIN FINISHES ARE LOW STRESS/WHISKER MITIGATING

TABLE 1 – LOCKING CLIP OPTION		TABLE 2 – SOLDER, SAC 305	
PART NUMBER	DESCRIPTION	PART NUMBER	DESCRIPTION
SDMS-3324L-__-000	WITH LOCKING CLIPS	SDMS-3324__-M-000	SOLID CORE
SDMS-3324N-__-000	WITHOUT LOCKING CLIPS	SDMS-3324__-N-000	W/ NO CLEAN FLUX

Unless otherwise specified: All dimensions are: mm [Inches]	Drawn by: J CACHINA	Date: 04/24/06	 AN INTERPLEX INDUSTRIES CO. 100 PIONEER AVE WARWICK, R.I. 02888 TEL: (401) 785-4110 FAX: (401) 781-5730 E-MAIL: sales@tekais.com
	Checked by: JSC	Date: 04/24/06	
-Tolerances- No of places mm [IN] one ±0,5 ±.020 two ±0,25 ±.010 three ±0,13 ±.005 Angular ±2°	Title: SB 96 POS DIN 41612 MALE CONNECTOR (ROHS COMPLIANT)		Part No: SDMS-3324__-__-000 (SEE TABLE)
	Ref No: S20613	Scale: 1.5:1	Sheet 1 of 1