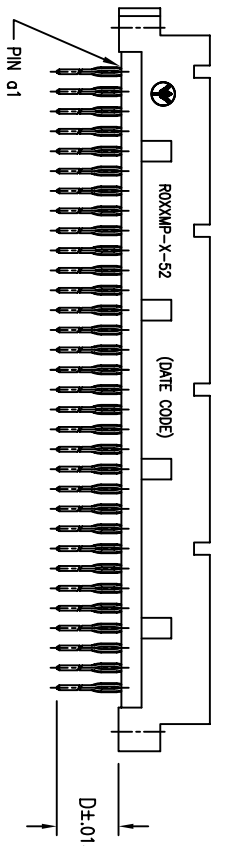
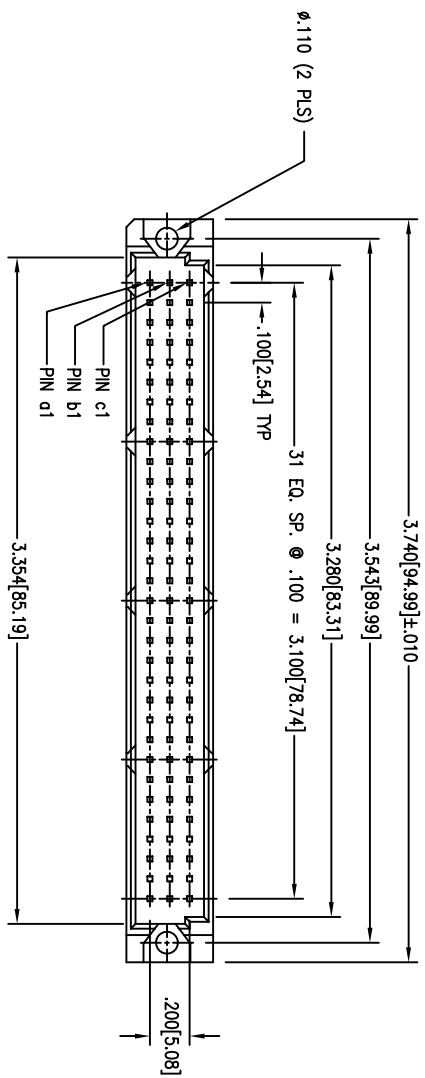
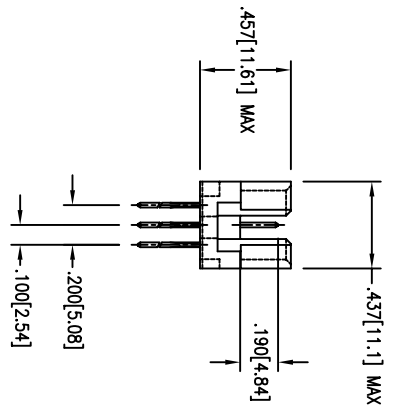


**NOTES:**

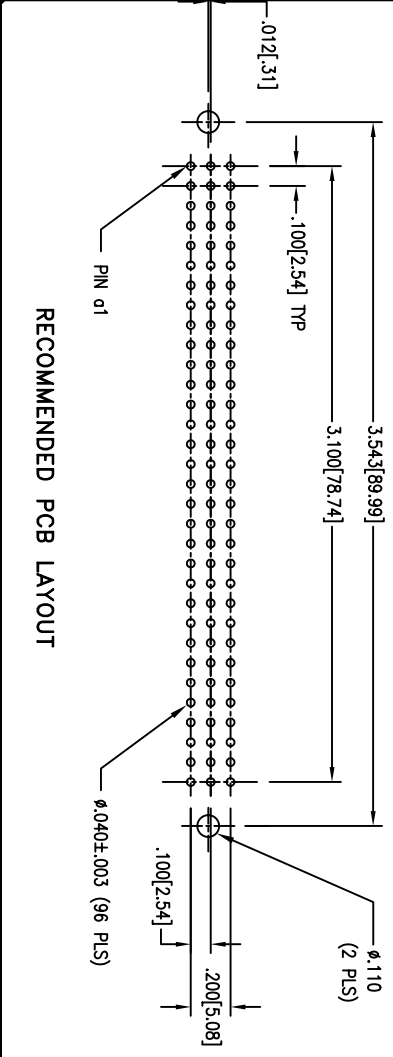
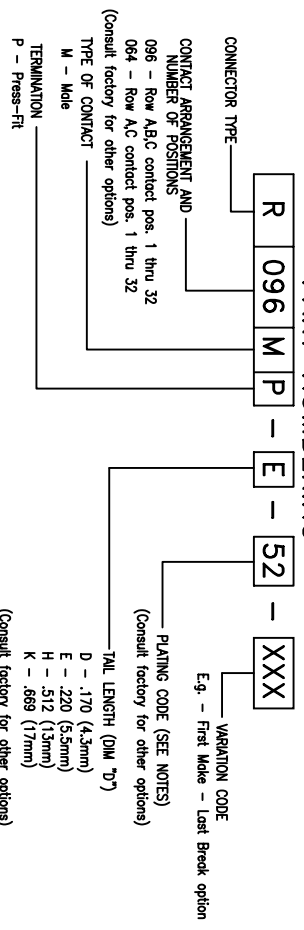
- 1. MATERIALS AND FINISH:**  
 INSULATOR - GLASS FILLED THERMO-PLASTIC POLYESTER, 94V-0 RATED, GREY.  
 CONTACT MATERIAL - COPPER ALLOY.  
 CONTACT PLATING - .000030 AU OVER .0000050 Ni ON CONTACT POINT, TAIL AND COMPLIANT SECTION .000100 MATTE FINISH 60/40 Sn/Pb.

- 2. ELECTRICAL CHARACTERISTICS:**  
 DIELECTRIC WITHSTANDING VOLTAGE - 1000 VAC @ 60 HZ.  
 INSULATION RESISTANCE - 5000 MEGOHMS.  
 CONTACT CURRENT RATING - 1.5 AMPS AT 20°C.  
 1 AMP AT 70°C.

- 3. MECHANICAL CHARACTERISTICS:**  
 OPERATING TEMPERATURE - -55 TO +125°C.  
 DURABILITY - PER DIN 41612 LEVEL 2 STANDARD.  
 MATING FORCES - INSERTION FORCE: 20 LBS MAX.  
 RETENTION FORCE: .54 OZ MIN PER CONTACT  
 INSERTION FORCE - COMPLIANT SECTION 40 lbs MAXIMUM PER CONTACT.  
 PUSHOUT FORCE - COMPLIANT SECTION 10 lbs MINIMUM PER CONTACT.  
 HOLE SIZE REQUIREMENTS:  
 FINISHED HOLE DIA: .040±.003  
 MARKING AS SHOWN.



**PART NUMBERING**



**RECOMMENDED PCB LAYOUT**

REVISIONS		DATE	APPROVED
REV	DESCRIPTION		
A	INITIAL RELEASE (ESR 0607)	10-08-96	JWM

<b>APPROVED</b>		THE INFORMATION, DATA AND/OR SERVICES CONTAINED HEREIN ARE PROPRIETARY TO A.W. INDUSTRIES AND MAY NOT BE COPIED, REPRODUCED OR DISSEMINATED IN PART OR WHOLE WITHOUT THE WRITTEN PERMISSION OF A.W. INDUSTRIES.	
NAME	DATE	ALL DIMENSIONS ARE IN INCHES.	
JWM	10-96	TOLERANCES:	
CHECKED	YL	DECIMAL	.XX ±.015
QUALITY	WPK	ANGULAR	.XXX ±.005
APPROVED	JWM	ANGLE	±1/2°
	10-96		

**COMPULSANT PIN PRESS FIT DIN CONNECTOR**  
 MALE 96 POSITIONS, STYLE R

**A.W. Industries, Incorporated**  
 6785 N.W. 17th AVENUE  
 Fort Lauderdale, FL 33309

SIZE: **C** | DWG. NO.: **ROXXMP-X-52**  
 SCALE: **NONE** | ADD FILE NO.: **03-0386-0A** | SHEET: **1** OF **1**