

| Rev | Description | Date | By |
|-----|-----------------|----------|-----|
| A | INITIAL RELEASE | 09/16/05 | JSC |

| TABLE I - PC\104 PRODUCT DESCRIPTION | | | | | TABLE II - PC\104 FINISH DESCRIPTION (MICROINCHES) | | |
|--------------------------------------|----------------|--------|------|--------|--|---------------------|----------------------|
| PART NUMBER | POSITIONS (2X) | A±.010 | B | C±.010 | FEMALE INTERFACE GOLD | MALE INTERFACE GOLD | SOLDER TAIL PURE TIN |
| PC206-A-1BD075-M | 06 | .620 | .500 | .075 | 20 MINIMUM | NOT APPLICABLE | 100 MIN |

NOTES: UNLESS OTHERWISE SPECIFIED

- 1 INTERPRET THIS DRAWING IN ACCORDANCE WITH ASME Y14.5M-1994
- 2 THIS PRODUCT CONFORMS TO ALL APPLICABLE PC\104 CONNECTOR SPECIFICATIONS.
- 3 FOR OTHER SIZES, FINISHES OR ADDITIONAL DATA CONTACT TEKA'S CUSTOMER SERVICE DEPARTMENT.

MATERIALS:

HOUSING: HIGH TEMPERATURE THERMOPLASTIC, UL RATED 94-V0
CONTACT: PHOSPHOR BRONZE ALLOY
SOLDER: SAC 305
SOLDER CLIP: ALUMINUM ALLOY

CONTACT FINISH:

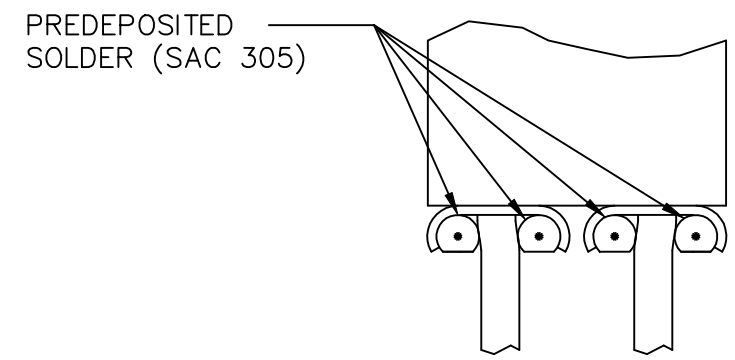
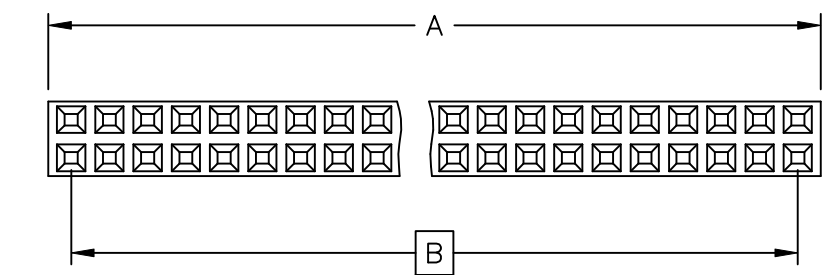
FEMALE INTERFACE: (SEE TABLE II)
MALE INTERFACE: (SEE TABLE II)
SOLDER TAIL: (SEE TABLE II)
UNDERPLATE: 50 MICROINCHES MINIMUM NICKEL

PERFORMANCE CHARACTERISTICS - MECHANICAL

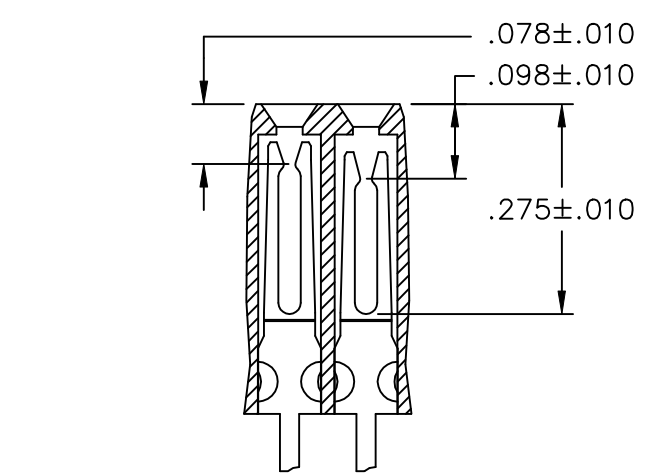
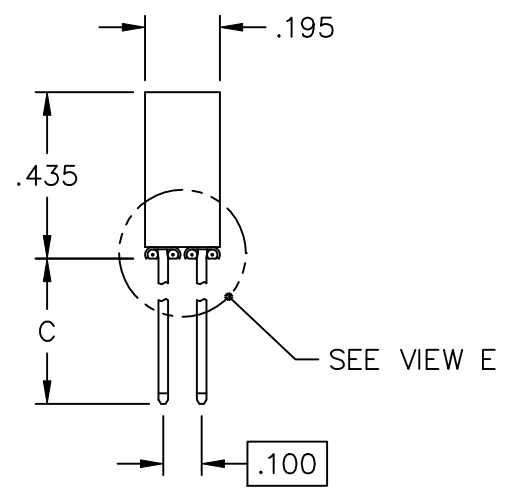
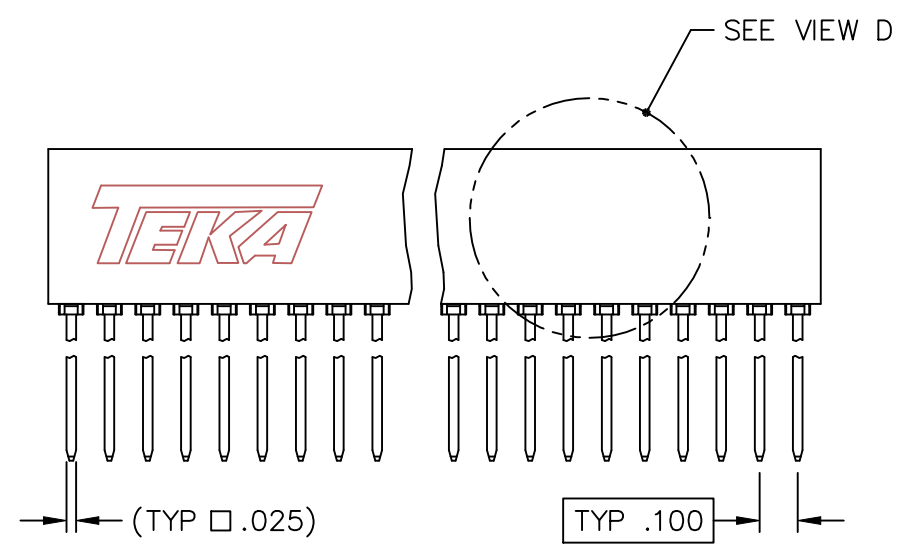
INSERTION FORCE: 2.5 OZ PER CONTACT MAX AVG
WITHDRAWAL FORCE: 1 OZ MIN AVG
NORMAL FORCE: 50 GRAMS MIN (PER BEAM) EOL
DURABILITY: 25 CYCLES MINIMUM
OPERATING TEMP: -55°C - 85°C

PERFORMANCE CHARACTERISTICS - ELECTRICAL

CONTACT RESISTANCE: 20 MILLIOHMS MAX INITIAL W/
30 MILLIOHMS MAX AFTER TEST
CURRENT CAPACITY: 3 AMPS MAX PER CONTACT
DIELECTRIC STRENGTH: 1000 VAC
INSULATION RESISTANCE: 10,000 MEGAOHMS MIN

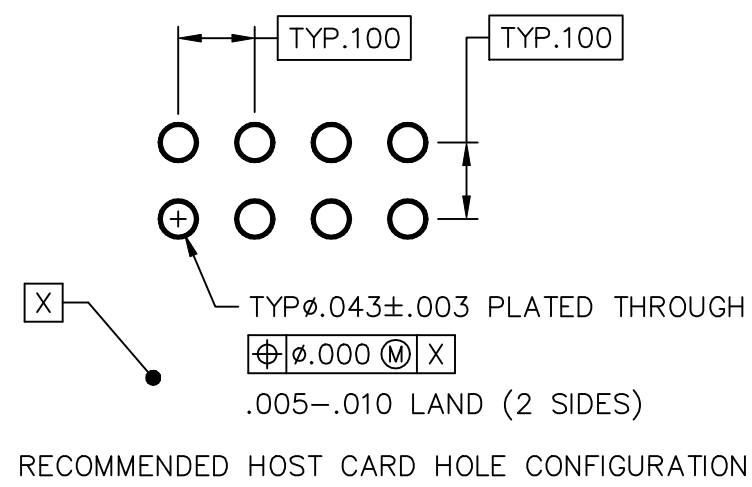


VIEW E - SCALE=8:1




VIEW D - SCALE=4:1

LOW INSERTION FORCES ARE ACHIEVED THROUGH A STEPPED INSERTION



RECOMMENDED HOST CARD HOLE CONFIGURATION

| | | | |
|---|--|----------------|--|
| Unless otherwise specified: All dimensions are: Inches [mm] | Drawn by: J CACHINA | Date: 09/16/05 |  AN INTERPLEX INDUSTRIES CO. 100 PIONEER AVE WARWICK, R.I. 02888 TEL:(401) 785-4110 FAX:(401) 781-5730 E-MAIL: sales@teka.com |
| | Checked by: JSC | Date: 09/16/05 | |
| No of places IN [mm] | Title: SOLDER BEARING RECEPT - .100 PITCH (ROHS COMPLIANT) | | Part No: PC206-A-1BD075-M |
| one ±.1 ±2,54 | Ref No: S20563 | | Scale: 2:1 |
| two ±.02 ±0,5 | | | Sheet 1 of 1 |
| three ±.005 ±0,13 | | | |
| Angular ±1° | | | |