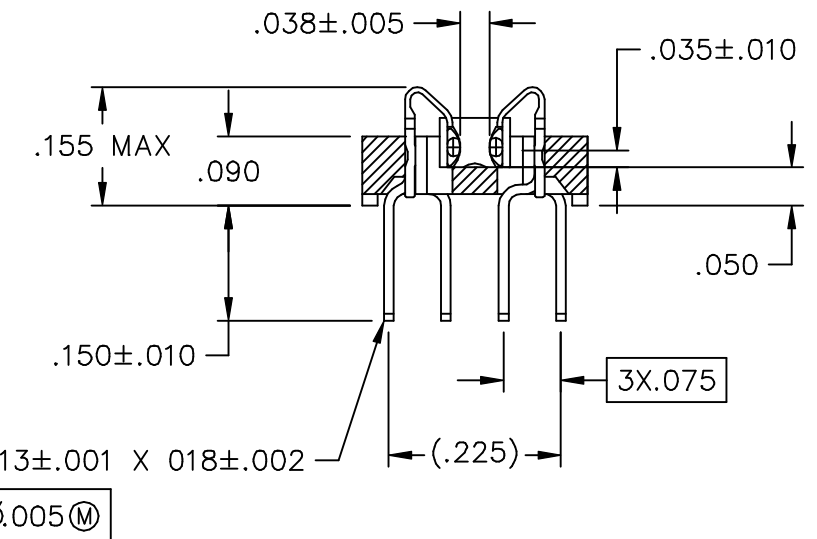
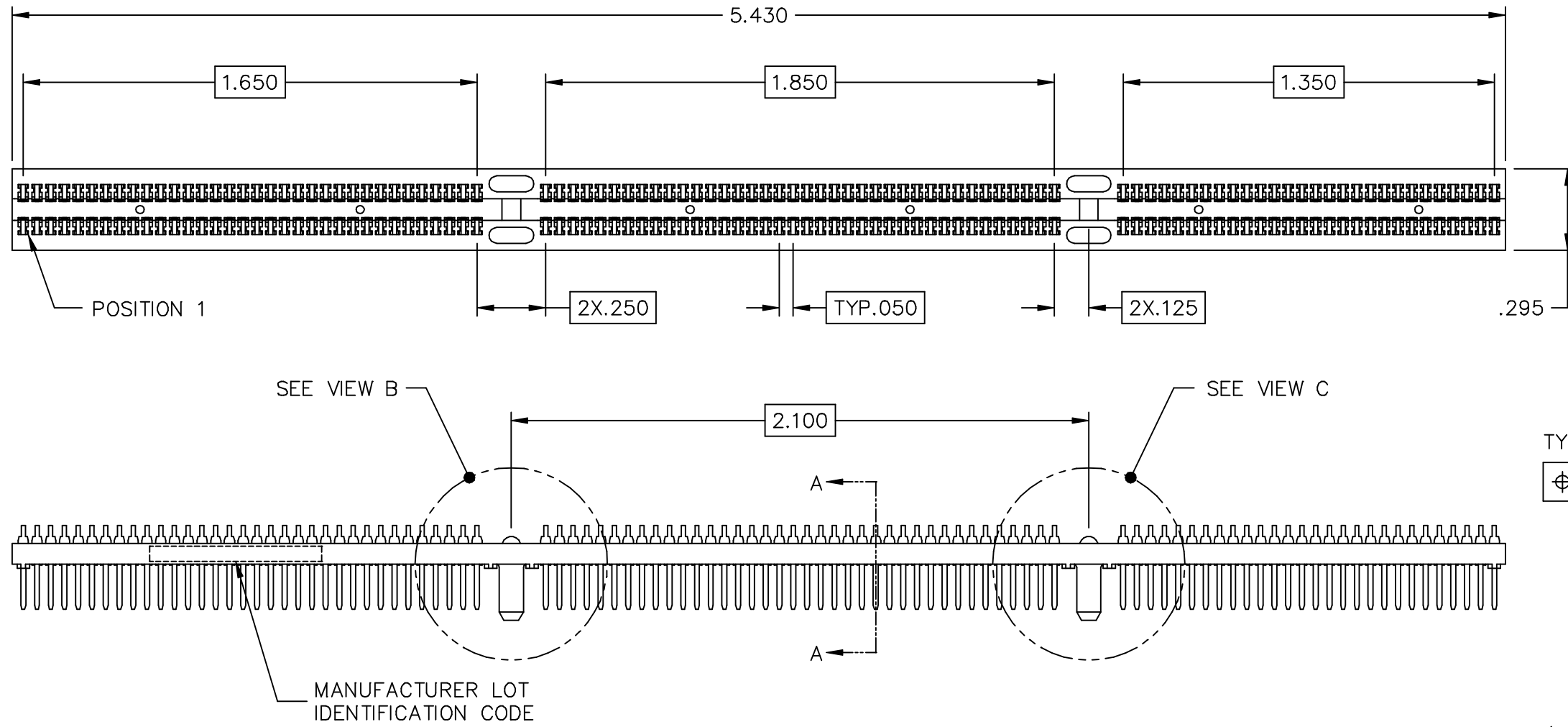
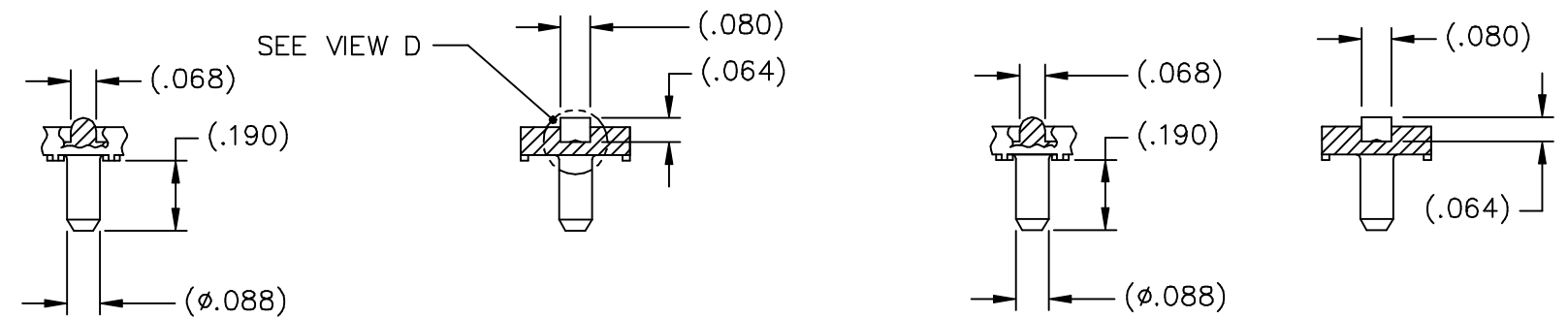


Rev	Description	Date	By
A	INITIAL RELEASE	05/26/05	JSC



TYPICAL SECTION A-A  
SCALE = 4:1  
(RETENTION POST OMITTED)



**MATERIALS:**

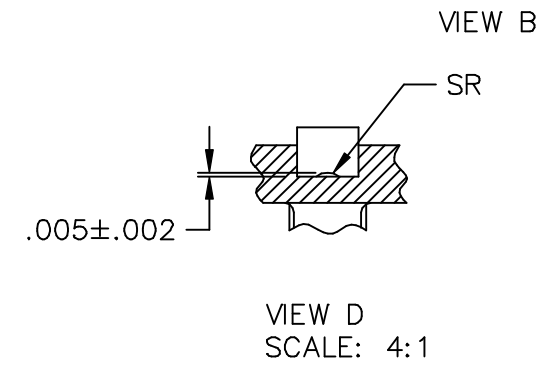
**HOUSING:** HIGH TEMPERATURE THERMOPLASTIC, UL RATED 94-V0 (30-40% FIBERGLASS REINFORCED LCP OR PPS)

**CONTACTS:** ALLOY C76200 (NICKEL-SILVER) SELECTIVELY PRE-PLATED 150 MICRINCHES MIN LOW STRESS (WHISKER MITIGATING) TIN OVER 50 MICRINCHES MIN NICKEL


**SOLDER:** SOLID CORE 63-37 TIN-LEAD ALLOY

**NOTES: UNLESS OTHERWISE SPECIFIED**

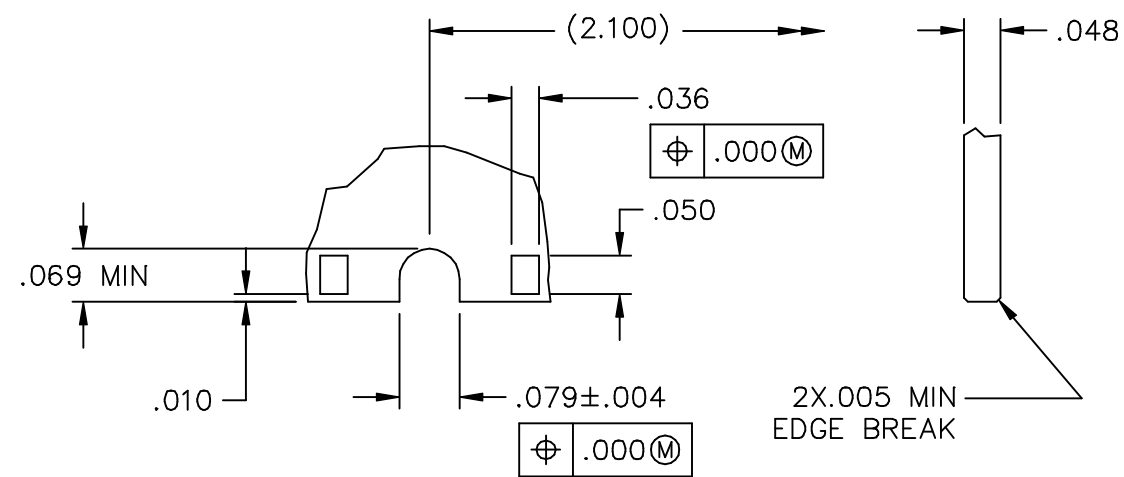
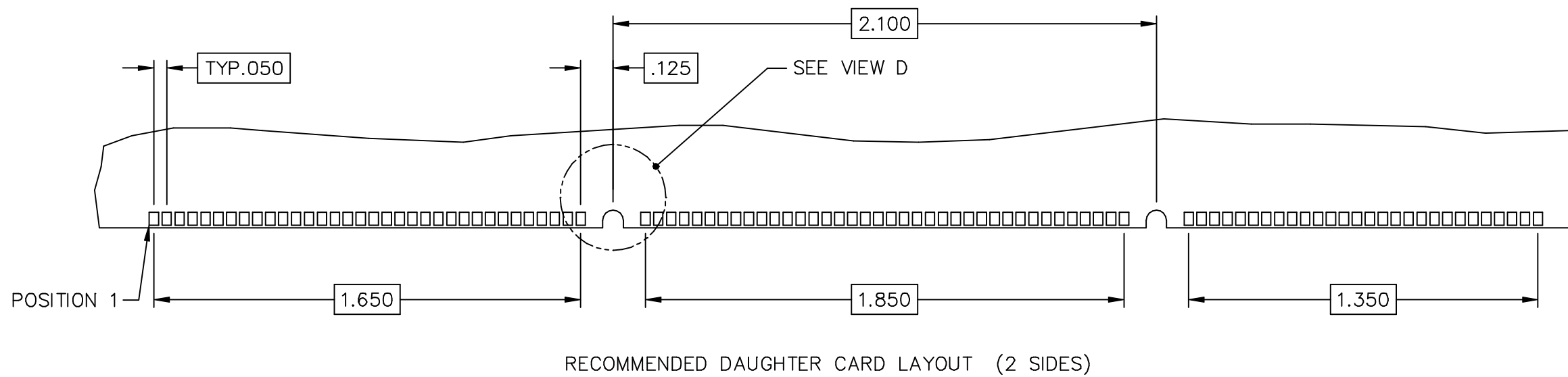
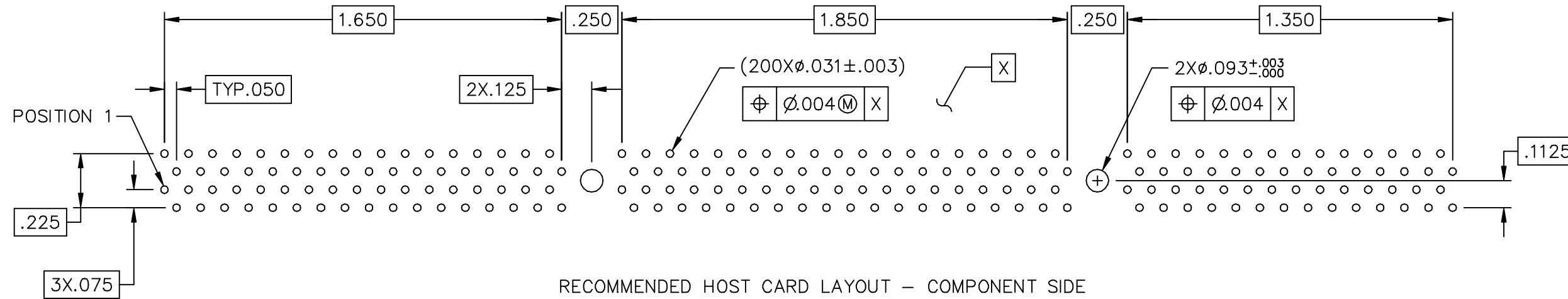
1 INTERPRET THIS DRAWING IN ACCORDANCE WITH ASME Y14.5M-1994




VIEW D  
SCALE: 4:1

Drawn by: J CACHINA	Date: 05/25/05	 AN INTERPLEX INDUSTRIES CO. <a href="http://www.tekai.com">HTTP://WWW.TEKAI.COM</a>	100 PIONEER AVE WARWICK, R.I. 02888 TEL:(401) 785-4110 FAX:(401) 781-5730 E-MAIL: sales@tekais.com
Checked by: JSC	Date: 05/26/05		Title: 2 X 100 QUAD ROW SBL SOCKET
Ref No: S20514		Scale: 2:1	Sheet 1 of 2

Rev	Description	Date	By
A	ALL REVISIONS - SEE SHEET 1	05/26/05	JSC



Unless otherwise specified: All dimensions are: Inches [mm]	Drawn by:	Date:	 AN INTERPLEX INDUSTRIES CO. 100 PIONEER AVE WARWICK, R.I. 02888 TEL: (401) 785-4110 FAX: (401) 781-5730 E-MAIL: sales@tekais.com	
	J CACHINA	05/25/05		
-Tolerances- No of places IN [mm] one ±.1 ±2,54 two ±.02 ±0,5 three ±.005 ±0,13  Angular ±1°	Checked by:	Date:	Part No: EC1448-D58U1-00S	
	JSC	05/26/05		
Title: 2 X 100 QUAD ROW SBL SOCKET		Ref No: S20514	Scale: 2:1	Sheet 2 of 2