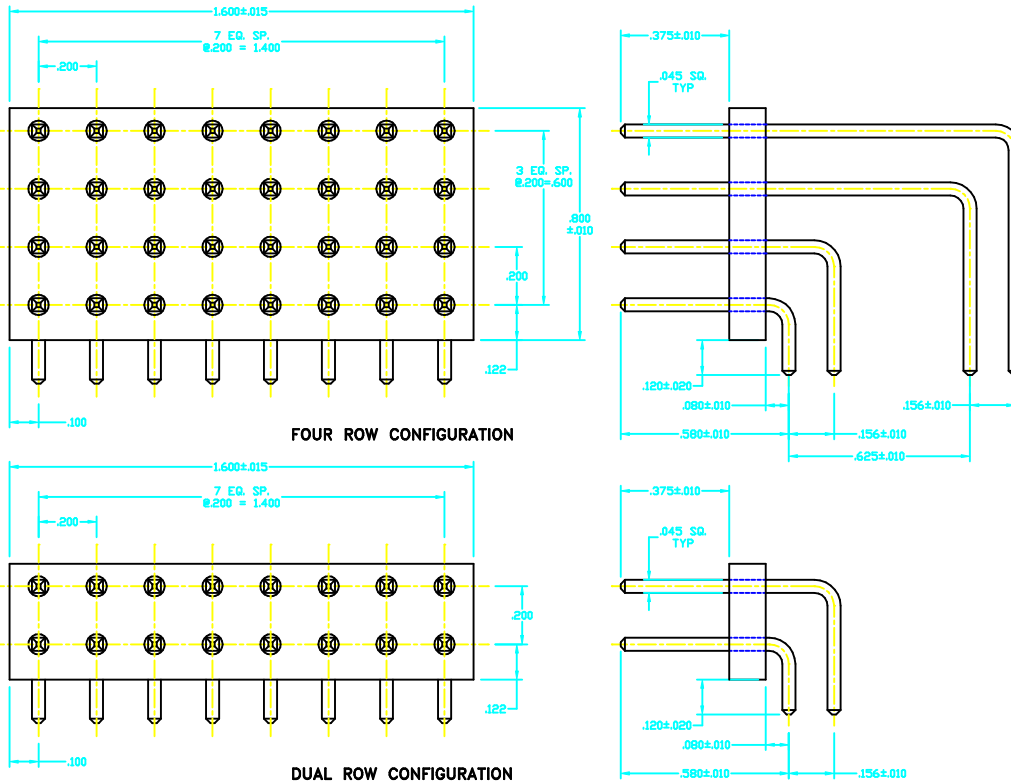


**.045 SQ. HEADER .200 CENTERS, SOLDER TAILS
 RIGHT ANGLE**



RECOGNIZED UNDER THE
 COMPONENT PROGRAM
 OF UNDERWRITERS
 LABORATORIES INC.
 FILE NO. E151639



CERTIFIED BY
 CANADIAN STANDARDS
 ASSOCIATION,
 FILE NO. LR 101045



PART NUMBERING

D 46 08 - 38 - 77 - 12 R S

CONFIGURATION
 D - Dual Row Right Angle
 F - Four Row Right Angle

SERIES
 46 - .045 SQ. Header .200 x .200

NO. OF CONTACTS PER ROW
 08 - 8 CONTACTS
 (Consult factory for other options)

MATING POST LENGTH
 38 - .375 (STANDARD)
 (Consult factory for other options)

TERMINATION
 RS - Right Angle
 Dip Solder

TAIL LENGTH
 12 - .12 (Standard)
 (Consult factory for other options)

PLATING CODE
 24 - .000010 in Gold on contact area over
 .000050 in Ni, flash Gold on Tail.
 54 - .000050 in Gold on contact area over
 .000050 in Ni, flash Gold on Tail.
 77 - .000100 in Sn/Pb over .000050 in Ni.
 (Consult factory for other options)

MATERIALS AND FINISH:

INSULATOR - THERMOPLASTIC UL 94V-0 RATED
 COLOR BLACK.
 CONTACTS - COPPER ALLOY
 CONTACT PLATING - SEE PART NUMBERING.

ELECTRICAL CHARACTERISTICS:

DIELECTRIC WITHSTANDING VOLTAGE- 1800 VRMS.
 INSULATION RESISTANCE- 5000 MEGOHMS.
 CONTACT CURRENT RATING- 7 AMPS AT 30°C.

MECHANICAL CHARACTERISTICS:

OPERATING TEMPERATURE- -55° TO +105°C.
 HOLE SIZE REQUIREMENTS:
 FINISHED HOLE DIA: .068 MIN.