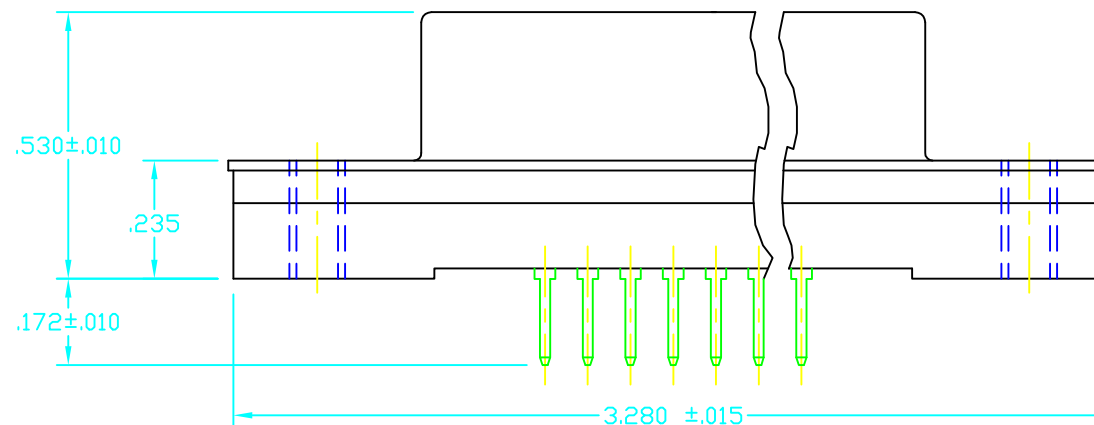
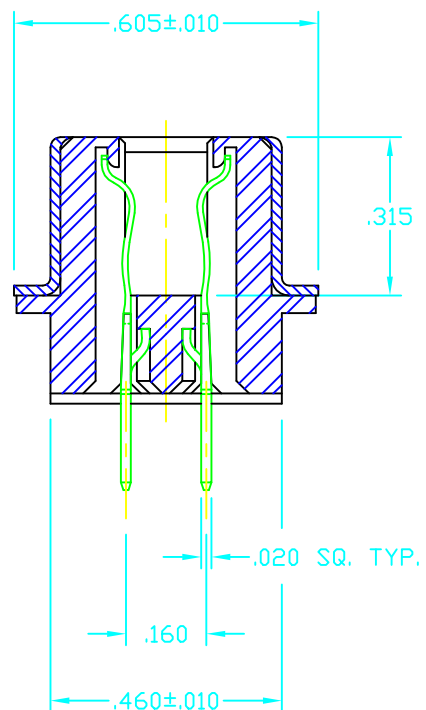
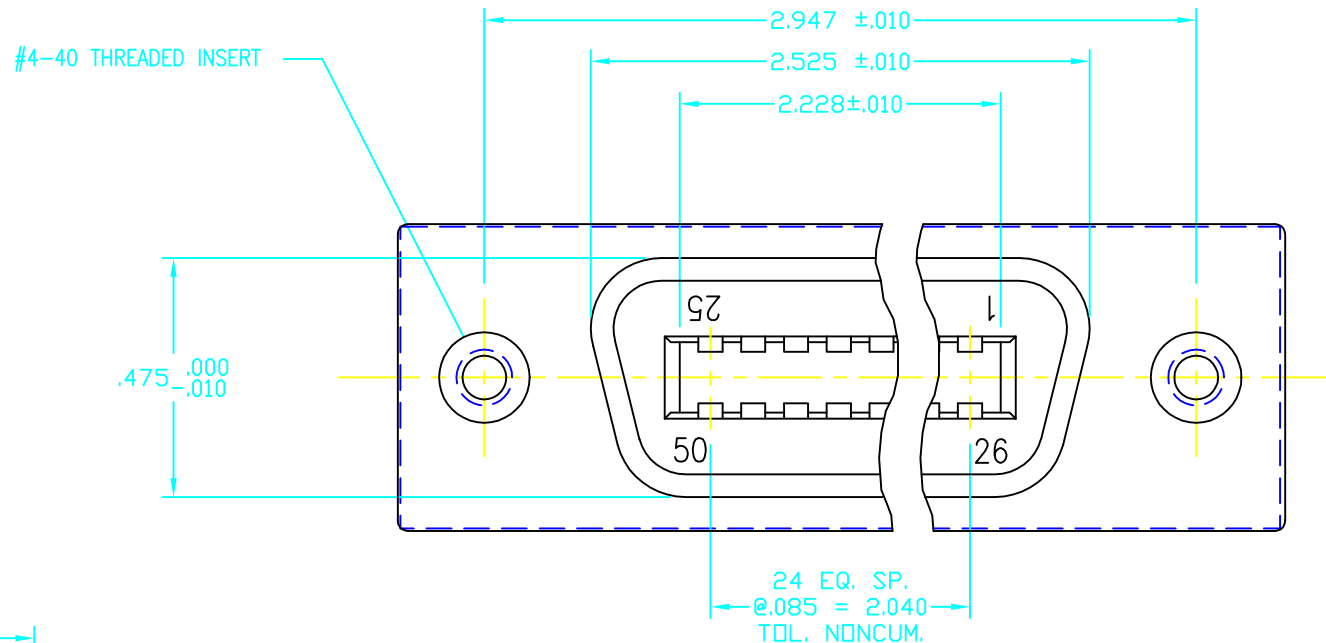
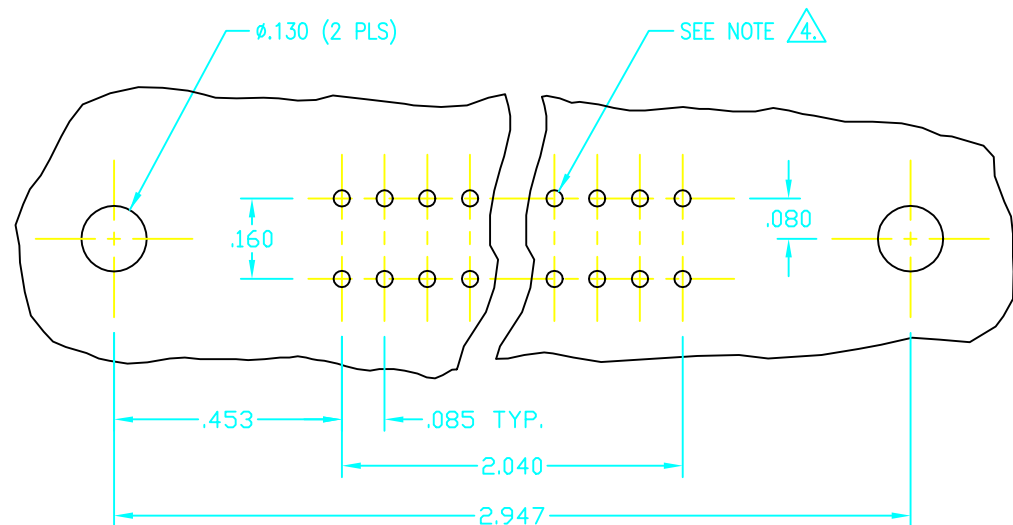


RECOMENDED HOLES LAYOUT



REVISIONS			
REV	DESCRIPTION	DATE	APPROVED
A	INITIAL RELEASE (ESR1961)	05-24-00	JWM

NOTES:

- MATERIAL:**
 - * INSULATOR - 30% GLASS REINFORCED THERMOPLASTIC POLYESTER (PBT) VALOX 420 SEO OR EQUIVALENT UL 94V-0 RATED, COLOR - BLACK.
 - * CONTACT - PHOSPHORE BRONZE CDA 510.
 - * CONTACT PLATING - NICKEL PLATE .000050 MIN. THICK ALL OVER, GOLD PLATE .000030 MIN. THICK ON CONTACT AREA, .000100 MIN. SnPb OVER TAIL AND COMPLIANT AREA.
 - * SHELL - STEEL.
 - * SHELL PLATING - BRIGHT TIN ALL OVER.
- ELECTRICAL CHARACTERISTICS:**
 - * CONTACT RESISTANCE - 10 MILLIOHMS MAX.
 - * INSULATION RESISTANCE - 5000 MEGOHMS.
 - * WITHSTANDING VOLTAGE - 1000 VRMS
 - * CURRENT RAITING - 3 AMPERS MAX. PER CONTACT PAIR.
- MECHANICAL CHARACTERISTICS:**
 - * OPERATING TEMPERATURE - FROM -55°C TO +105°C.

4. PRINTED CIRCUIT BOARD HOLE INFORMATION:
- * BEFORE THRU-HOLE PLATING - .037-:-.039 DIA.
 - * COPPER THRU-HOLE PLATING THICKNESS - .001-:-.002.
 - * TIN-LEAD THRU-HOLE PLATING THICKNESS - .0003-:-.0012 PORE FREE.
 - * FINISHED HOLE DIMENSION - .030-:-.035 DIA.

CUSTOMER DRAWING

APPROVED		THE INFORMATION, DATA AND/OR SPECIFICATIONS CONTAINED ON THIS DOCUMENT ARE PROPRIETARY TO A.W. INDUSTRIES AND MAY NOT BE COPIED, DUPLICATED OR DISCLOSED IN PART OR WHOLE WITHOUT AUTHORIZATION IN WRITING FROM A.W. INDUSTRIES. ALL DIMENSIONS ARE IN INCHES. TOLERANCES: DECIMAL .XX ±.015 .XXX ±.005 ANGLE ±1/2°	TITLE SOLDER CONNECTOR 50 PIN RECEPTACLE, SHIELDED	
NAME	DATE		A.W. Industries, incorporated 6788 N.W. 17th AVENUE Fort Lauderdale, FL 33309	
DRAWN	JWM 05-00		SIZE	DWG. NO.
CHECKED	VF 05-00		C	8650F-02-52S
QUALITY	DKJ 05-00		SCALE	ACAD FILE NO. 03-0896-0A SHEET 1 OF 1
APPROVED	JWM 05-00			