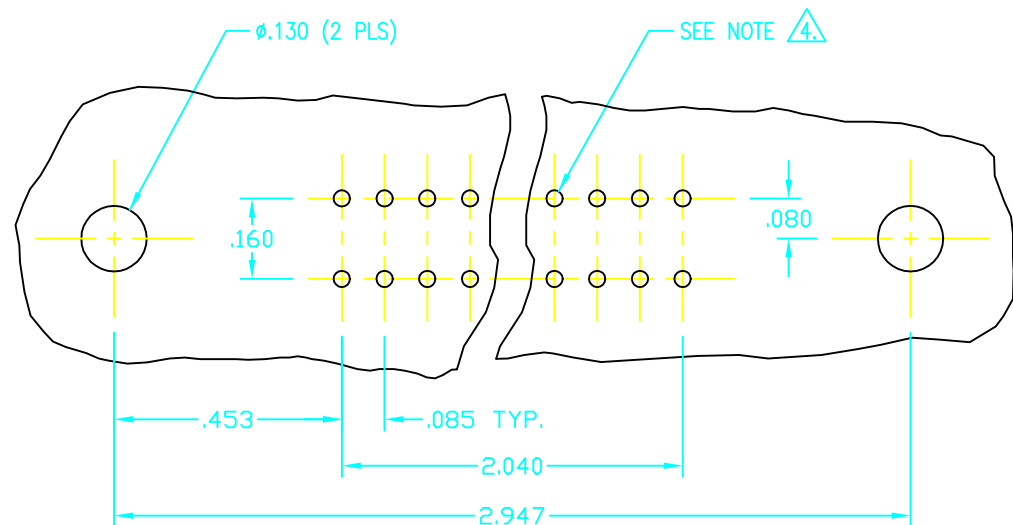
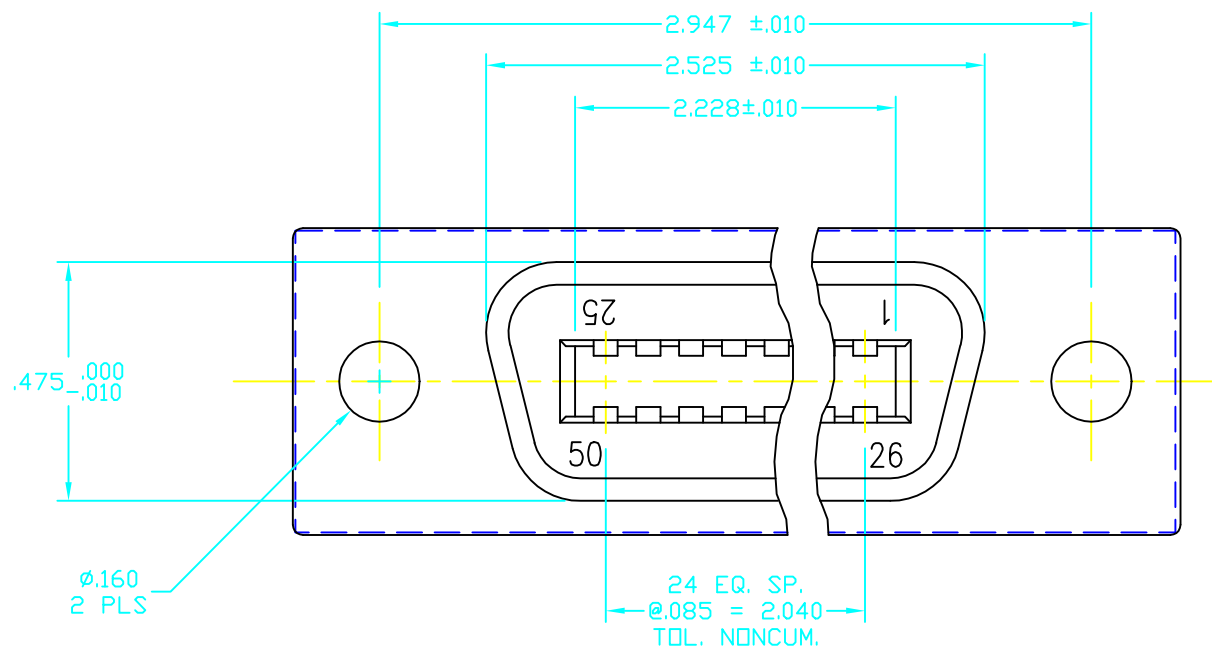


RECOMENDED HOLES LAYOUT

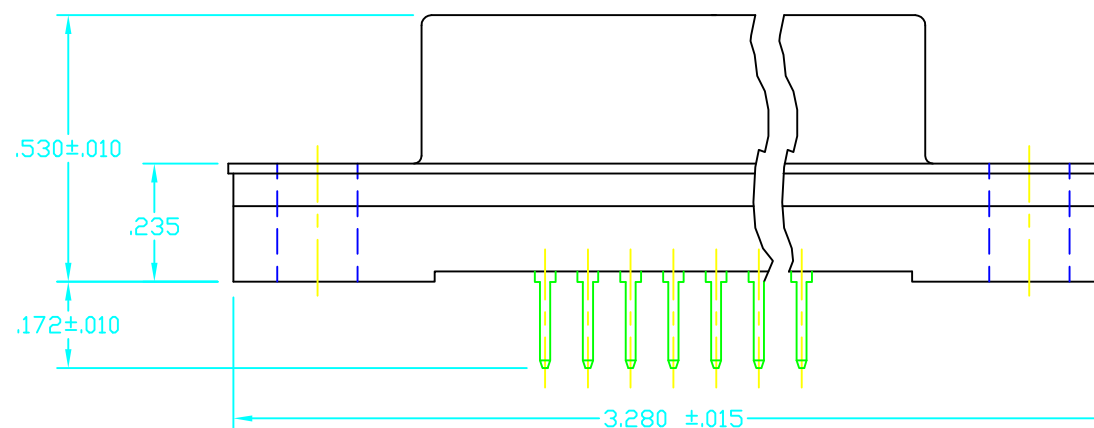
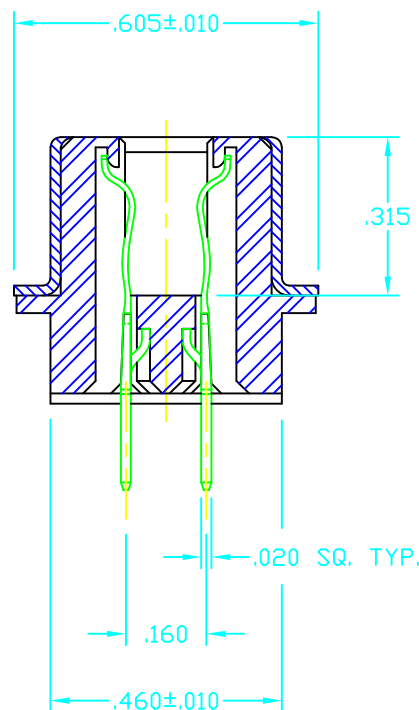


REVISIONS			
REV	DESCRIPTION	DATE	APPROVED
A	INITIAL RELEASE (ESR1961)	05-24-00	JWM



NOTES:

- MATERIAL:**
  - \* INSULATOR - 30% GLASS REINFORCED THERMOPLASTIC POLYESTER (PBT) VALOX 420 SEO OR EQUIVALENT UL 94V-0 RATED, COLOR - BLACK.
  - \* CONTACT - PHOSPHORE BRONZE CDA 510.
  - \* CONTACT PLATING - NICKEL PLATE .000050 MIN. THICK ALL OVER, GOLD PLATE .000030 MIN. THICK ON CONTACT AREA, .000100 MIN. SnPb OVER TAIL AND COMPLIANT AREA.
  - \* SHELL - STEEL.
  - \* SHELL PLATING - BRIGHT TIN ALL OVER.
- ELECTRICAL CHARACTERISTICS:**
  - \* CONTACT RESISTANCE - 10 MILLIOHMS MAX.
  - \* INSULATION RESISTANCE - 5000 MEGOHMS.
  - \* WITHSTANDING VOLTAGE - 1000 VRMS
  - \* CURRENT RAITING - 3 AMPERS MAX. PER CONTACT PAIR.
- MECHANICAL CHARACTERISTICS:**
  - \* OPERATING TEMPERATURE - FROM -55°C TO +105°C.



4. PRINTED CIRCUIT BOARD HOLE INFORMATION:

- \* BEFORE THRU-HOLE PLATING - .037-:-.039 DIA.
- \* COPPER THRU-HOLE PLATING THICKNESS - .001-:-.002.
- \* TIN-LEAD THRU-HOLE PLATING THICKNESS - .0003-:-.0012 PORE FREE.
- \* FINISHED HOLE DIMENSION - .030-:-.035 DIA.

CUSTOMER DRAWING

APPROVED	
NAME	DATE
DRAWN JWM	05-00
CHECKED VF	05-00
QUALITY DKJ	05-00
APPROVED JWM	05-00

THE INFORMATION, DATA AND/OR SPECIFICATIONS CONTAINED ON THIS DOCUMENT ARE PROPRIETARY TO A.W. INDUSTRIES AND MAY NOT BE COPIED, DUPLICATED OR DISCLOSED IN PART OR WHOLE WITHOUT AUTHORIZATION IN WRITING FROM A.W. INDUSTRIES.

ALL DIMENSIONS ARE IN INCHES.

TOLERANCES:

DECIMAL .XX ±.015  
.XXX ±.005

ANGLE ±1/2°

TITLE	
SOLDER CONNECTOR 50 PIN RECEPTACLE, SHIELDED	
A.W. Industries, incorporated	
6788 N.W. 17th AVENUE Fort Lauderdale, FL 33309	
SIZE C	DWG. NO. 8650F-01-52S
SCALE NONE	ACAD FILE NO. 03-0895-0A SHEET 1 OF 1