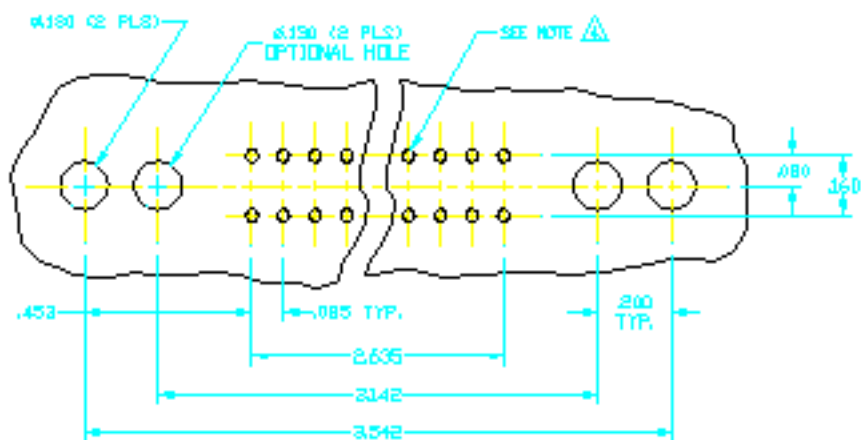


RECOMMENDED HOLES LAYOUT



NOTES:

1. MATERIAL:

INSULATOR - 30% GLASS REINFORCED THERMOPLASTIC POLYESTER (PET) VULK 42D SED OR EQUIVALENT UL 84V-0 RATED, COLOR BLACK
 DUST COVER - POLYETHYLENE, COLOR BLACK
 CONTACT - PHOSPHOR BRONZE CDA 510
 CONTACT PLATING - NICKEL PLATE .00030 MM. THICK ALL OVER, GOLD PLATE .00030 MM. THICK ON CONTACT AREA, .000100 MM. S/PY OVER TAIL AND COMPLIANT AREA

2. ELECTRICAL CHARACTERISTICS:

CONTACT RESISTANCE - 10 MILLIOHMS MAX.
 INSULATION RESISTANCE - 5000 MEGOHMS
 WITHSTANDING VOLTAGE - 1000 VRMS
 CURRENT RATINGS - 3 AMPERS MAX. PER CONTACT PAIR

3. MECHANICAL CHARACTERISTICS:

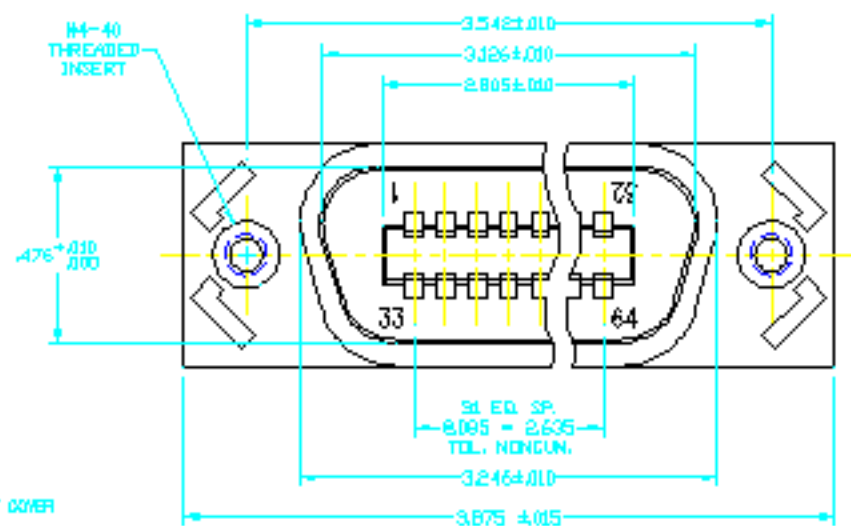
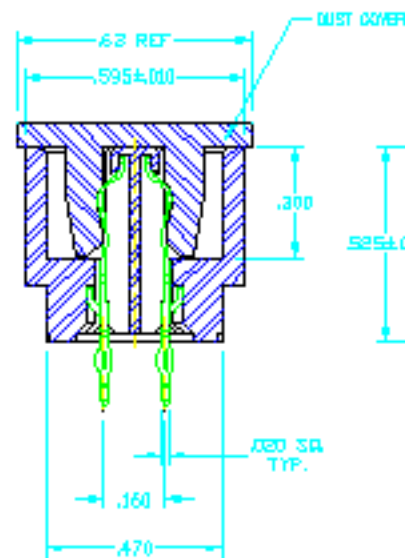
OPERATING TEMPERATURE - FROM -35°C TO +100°C
 INSULATOR RETENTION FORCE - 65 LB. MIN. (FORCE REQUIRED TO UNSEAT INSULATOR FROM PRINTED CIRCUIT BOARD, TEST PER AM/100T DRAWING NO. 13-1022-04)
 COMPLIANT SECTION INSERTION FORCE - 30 LB. MAX. PER CONTACT.
 COMPLIANT SECTION WITHDRAWAL FORCE - 10 LB. MIN. PER CONTACT.

PRINTED CIRCUIT BOARD HOLE INFORMATION:

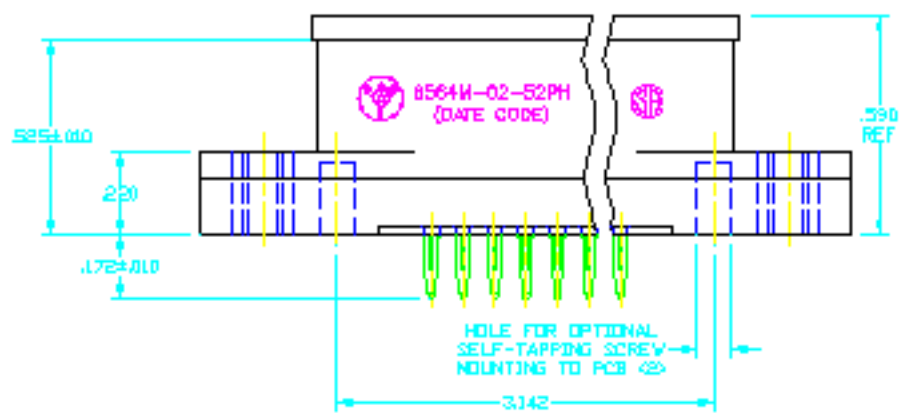
BEFORE THRU-HOLE PLATING - Ø.37-Ø.436 DIA.
 COPPER THRU-HOLE PLATING THICKNESS - .001-Ø.002
 TIN-LEAD THRU-HOLE PLATING THICKNESS - .0003-Ø.0012 PORE FREE.
 FINISHED HOLE DIMENSION - Ø.39-Ø.435 DIA.

5. FLAT ROCK ASSEMBLE TO BACKPANEL, NO SPECIAL TOOLING REQUIRED.

6. MARKING AS SHOWN.



TOP VIEW SHOWN WITHOUT DUST COVER.



CUSTOMER DRAWING

PLEASE REFER TO THE SPECIFICATIONS FOR ALL DIMENSIONS AND TOLERANCES UNLESS OTHERWISE SPECIFIED. ALL DIMENSIONS ARE IN INCHES.

| APPROVED | |
|----------|-----|
| DATE | BY |
| 08-03 | JUN |
| 08-03 | CH |
| 08-03 | DFJ |
| 08-03 | JUN |

TELEVISION
 SERIAL: PART:
 ANGLE: 45°/2

PRESS FIT CONNECTOR
 64 PIN PLUG



8705 KYLE 179 Ave.
 Fort Lauderdale, FL 33309

REV. C
 REV. NO. 8564M-02-52PH

SCALE NONE
 MOD. NO. 03-1028-1A
 SHEET 1 OF 1

| REVIEWS | | | |
|---------|---|----------|----------|
| REV. | DESCRIPTION | DATE | APPROVED |
| A | INITIAL RELEASE FOR APPROVAL (ESR 2384) | 06-18-03 | JWM |
| 1A | INITIAL RELEASE (ESR 2384) | 07-21-03 | JWM |