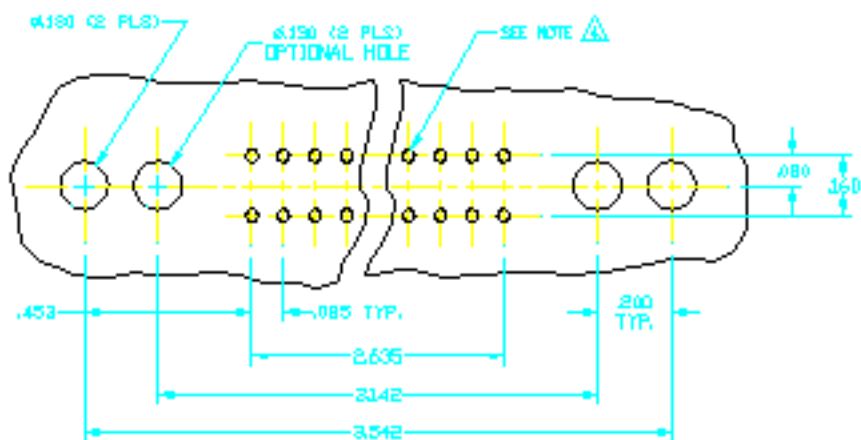


RECOMMENDED HOLES LAYOUT



NOTES:

1. MATERIAL:

INSULATOR - 30% GLASS REINFORCED THERMOPLASTIC POLYESTER (PET) VULC 42D SED OR EQUIVALENT UL 84V-0 RATED, COLOR BLACK
 DUST COVER - POLYETHYLENE, COLOR BLACK
 CONTACT - PHOSPHOR BRONZE CDA 510
 CONTACT PLATING - NICKEL PLATE .00050 MM. THICK ALL OVER, GOLD PLATE .00050 MM. THICK ON CONTACT AREA, .00100 MM. S/P OVER TAIL AND COMPLIANT AREA

2. ELECTRICAL CHARACTERISTICS:

CONTACT RESISTANCE - 10 MILLIOHMS MAX.
 INSULATION RESISTANCE - 5000 MEGOHMS
 WITHSTANDING VOLTAGE - 1000 VRMS
 CURRENT RATINGS - 3 AMPERS MAX. PER CONTACT PAIR

3. MECHANICAL CHARACTERISTICS:

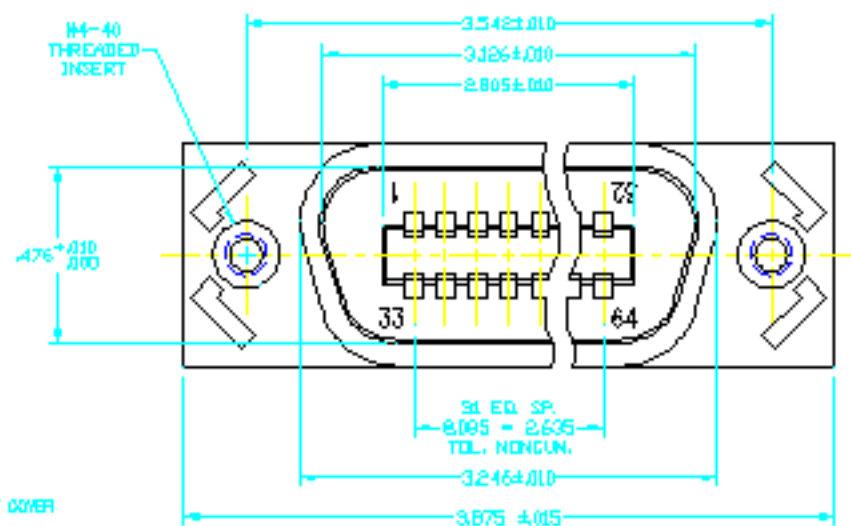
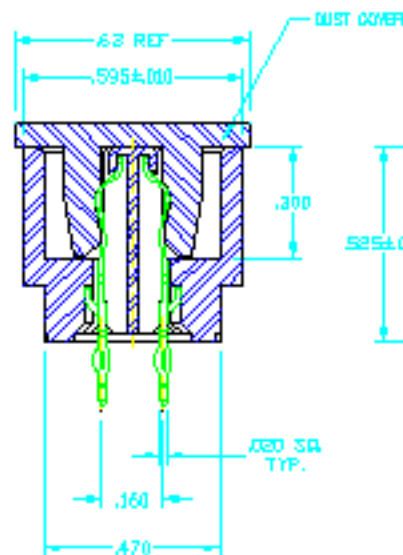
OPERATING TEMPERATURE - FROM -55°C TO $+100^{\circ}\text{C}$
 INSULATOR RETENTION FORCE - 65 LB. MIN. (FORCE REQUIRED TO UNSEAT INSULATOR FROM PRINTED CIRCUIT BOARD, TEST PER AM/1007 DRAWING NO. 13-1022-04)
 COMPLIANT SECTION INSERTION FORCE - 30 LB. MAX. PER CONTACT.
 COMPLIANT SECTION WITHDRAWAL FORCE - 10 LB. MIN. PER CONTACT.

4. PRINTED CIRCUIT BOARD HOLE INFORMATION:

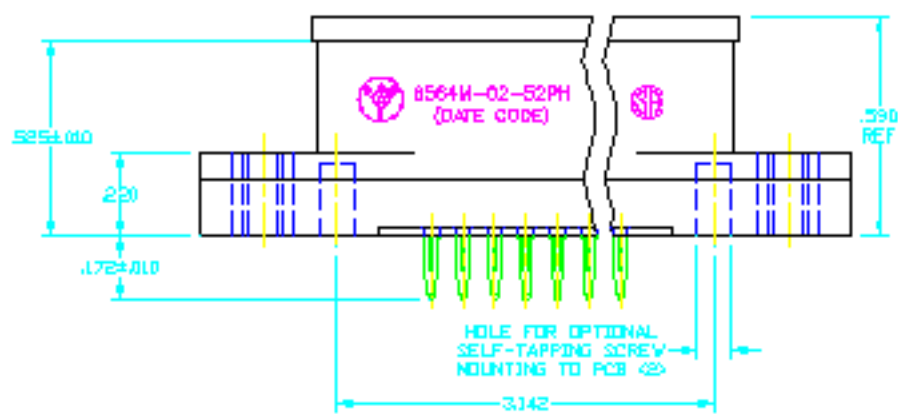
BEFORE THRU-HOLE PLATING - $.037$ TO $.039$ DIA.
 COPPER THRU-HOLE PLATING THICKNESS - $.001$ TO $.002$
 TIN-LEAD THRU-HOLE PLATING THICKNESS - $.0003$ TO $.0012$ PORE FREE.
 FINISHED HOLE DIMENSION - $.030$ TO $.035$ DIA.

5. FLAT ROCK ASSEMBLE TO BACKPANEL, NO SPECIAL TOOLING REQUIRED.

6. MARKING AS SHOWN.



TOP VIEW SHOWN WITHOUT DUST COVER.



CUSTOMER DRAWING

REVISIONS			
REV	DESCRIPTION	DATE	APPROVED
A	INITIAL RELEASE FOR APPROVAL (ESR 2384)	06-18-03	JWM
1A	INITIAL RELEASE (ESR 2384)	07-21-03	JWM

THIS DRAWING IS UNCLASSIFIED
 AND PROPERTY IS NOT RELINQUISHED
 AND IS NOT TO BE COPIED, REPRODUCED OR
 TRANSMITTED IN ANY FORM OR BY ANY
 MEANS, ELECTRONIC OR MECHANICAL,
 INCLUDING PHOTOCOPYING, RECORDING,
 OR BY ANY INFORMATION STORAGE AND
 RETRIEVAL SYSTEM.

APPROVED		
DATE	BY	CHK
08-03	JUN	08-03
08-03	CH	08-03
08-03	DFJ	08-03
08-03	JUN	08-03

ALL DIMENSIONS ARE IN INCHES.

TELEVISION

SIGNAL $\times 2$ $\times 1/2$

ANGLE $\times 1/2$

PRESS FIT CONNECTOR
 64 PIN PLUG

AW/CDT
 A DIVISION OF
 CABLE DESIGN TECHNOLOGIES

5705 KYLE 170th Ave.
 Fort Lauderdale, FL 33309

REV. NO. 8564M-02-52PH

FORM NONE MOD. DATE 03-1028-1A REV. 1 OF 1