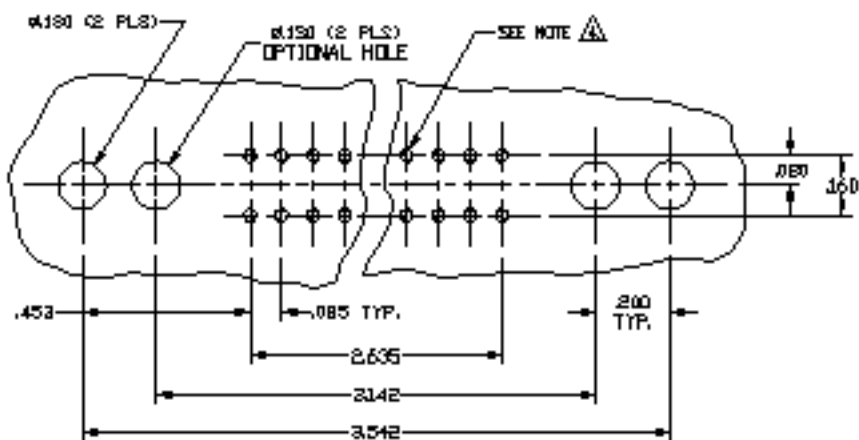
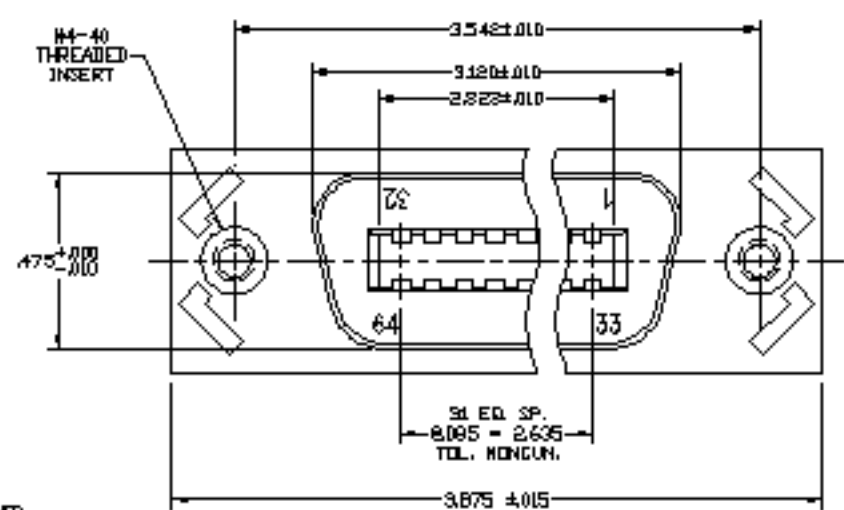


RECOMENDED HOLES LAYOUT



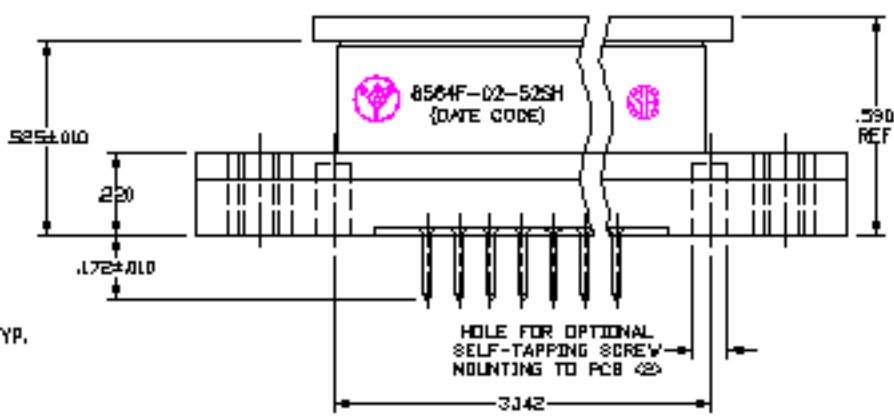
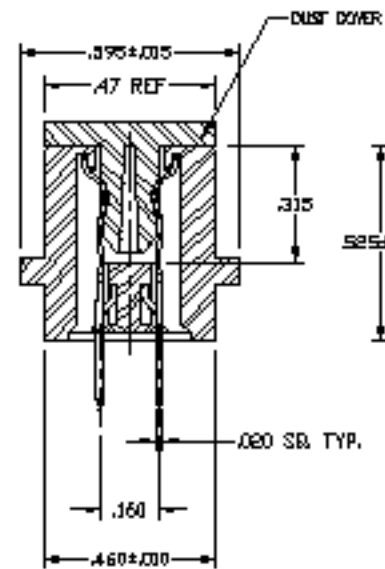
REVISED			
REV	DESCRIPTION	DATE	APPROVED
A	INITIAL RELEASE (ESR 2408)	10-01-03	JWM



TOP VIEW SHOWN WITHOUT DUST COVER.

NOTES:

- MATERIAL:**
 INSULATOR - JGS GLASS REINFORCED THERMOPLASTIC POLYESTER (PBT) VALOX 420 SGT OR EQUIVALENT UL 94V-0 RATED, COLOR BLACK.
 DUST COVER - FLYETHYLENE, COLOR BLACK.
 CONTACT - PHOSPHOR BRONZE CDA 510.
 CONTACT PLATING - NICKEL PLATE .000350 MM. THICK ALL OVER, GOLD PLATE .00030 MM. THICK ON CONTACT AREA, .000150 MM. R/P OVER TAIL AND COMPLIANT AREA.
- ELECTRICAL CHARACTERISTICS:**
 CONTACT RESISTANCE - 10 MILLIOHMS MAX.
 INSULATION RESISTANCE - 5000 MEGOHMS.
 WITHSTANDING VOLTAGE - 1000 VPMG.
 CURRENT RATING - 3 AMPS MAX. PER CONTACT PAIR.
- MECHANICAL CHARACTERISTICS:**
 OPERATING TEMPERATURE - FROM -55°C TO $+105^{\circ}\text{C}$.
 INSULATOR RETENTION FORCE - 80 LB. MIN. (FORCE REQUIRED TO UNSWAG INSULATOR FROM PRINTED CIRCUIT BOARD, TEST PER AM/CDT DRAWING NO. 13-1022-04)



CUSTOMER DRAWING

\triangle PRINTED CIRCUIT BOARD HOLE INFORMATION:
 BEFORE THRU-HOLE PLATING - $.037$ - $.038$ DIA.
 COPPER THRU-HOLE PLATING THICKNESS - $.001$ - $.002$.
 TIN-LEAD THRU-HOLE PLATING THICKNESS - $.0003$ - $.0012$ PORE FREE.
 FINISHED HOLE DIMENSION - $.030$ - $.035$ DIA.

5. MARKING AS SHOWN.

APPROVED		
NAME	DATE	
DESIGN	JUN	10-03
CHECKED	CH	10-03
QUANTITY	DRJ	10-03
APPROVED	JUN	10-03

ALL DIMENSIONS ARE IN INCHES.
 TELEVISION
 SERIAL ∞ PART NUMBER
 ANGLE 45°

SOLDER CONNECTOR	
B4 PIN RECEPTACLE	
REV. C	REV. NO. 8584F-02-52SH
SCALE NONE	DOC. NO. 03-1041-0A
1 OF 1	