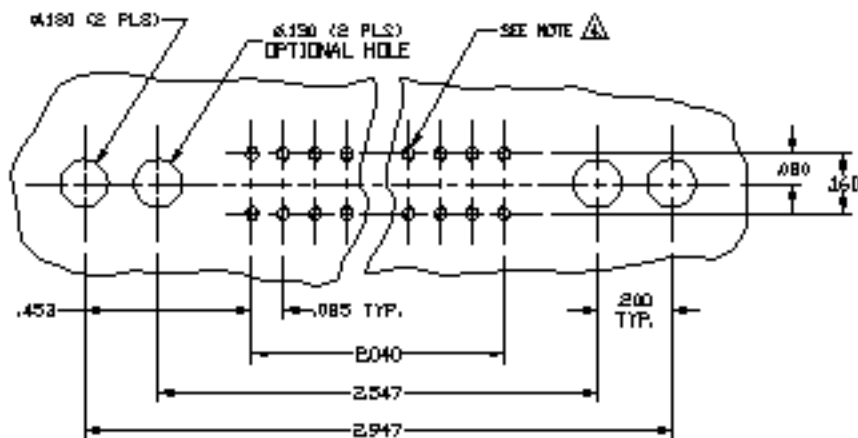


### RECOMMENDED HOLES LAYOUT



### NOTES:

#### 1. MATERIAL:

INSULATOR - 30% GLASS REINFORCED THERMOPLASTIC POLYESTER (PBT) VALOX 420 STD OR EQUIVALENT UL 84V-0 RATED, COLOR BLACK.  
 DUST COVER - POLYETHYLENE, COLOR BLACK.  
 CONTACT - PHOSPHOR BRONZE C2A STD.  
 CONTACT PLATING - NICKEL PLATE .000050 MIN. THICK ALL OVER, GOLD PLATE .000050 MIN. THICK ON CONTACT AREA, .000100 MIN. S/Ps OVER TAIL AND COMPLIANT AREA.

#### 2. ELECTRICAL CHARACTERISTICS:

CONTACT RESISTANCE - 10 MILLIOHMS MAX.  
 INSULATION RESISTANCE - 5000 MEGOHMS.  
 WITHSTANDING VOLTAGE - 1000 VRMS.  
 CURRENT RATING - 3 AMPERES MAX. PER CONTACT PAIR.

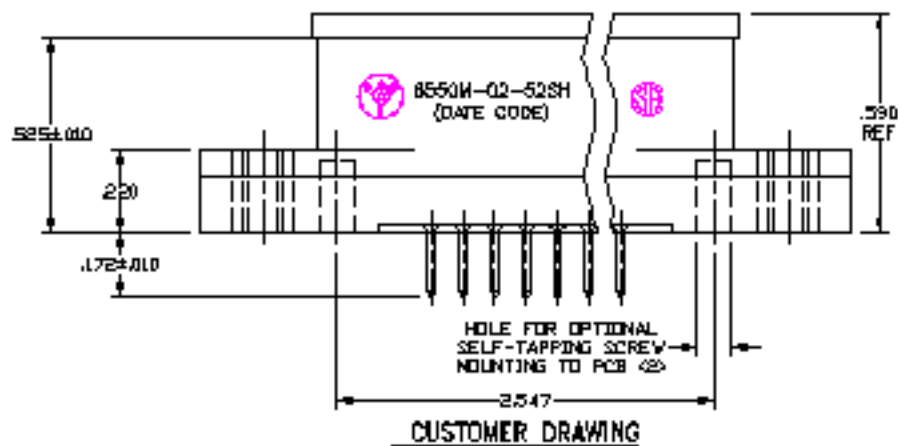
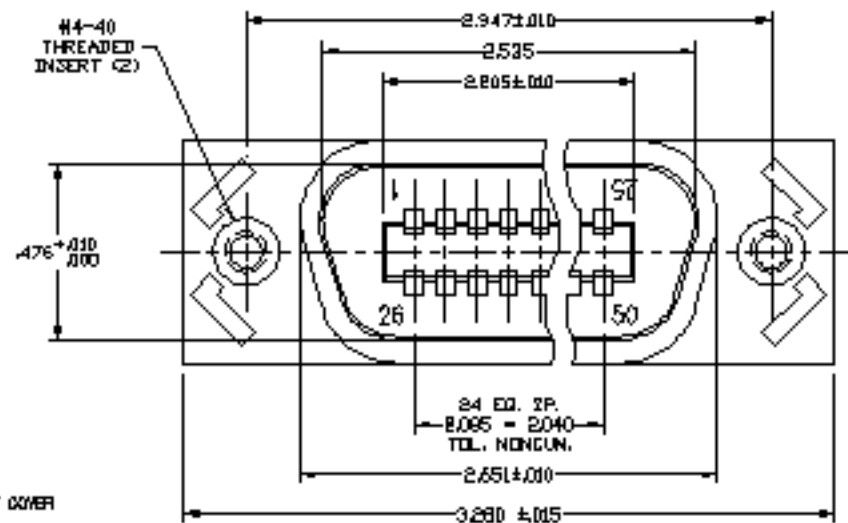
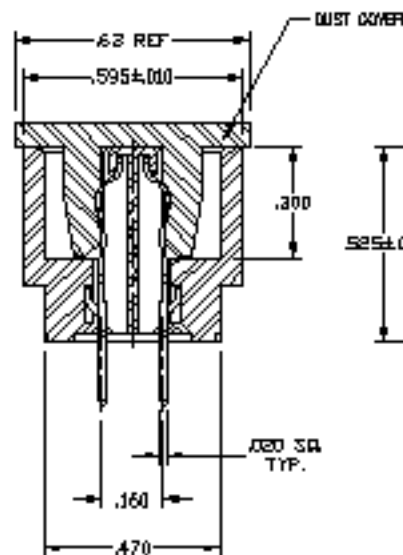
#### 3. MECHANICAL CHARACTERISTICS:

OPERATING TEMPERATURE - FROM -55°C TO +100°C.  
 INSULATOR RETENTION FORCE - 65 LB. MIN. (FORCE REQUIRED TO UNSEAT INSULATOR FROM PRINTED CIRCUIT BOARD, TEST PER AM/10CT DRAWING NO. 13-1022-04)

#### $\triangle$ PRINTED CIRCUIT BOARD HOLE INFORMATION:

BEFORE THRU-HOLE PLATING - .037--.039 DIA.  
 COPPER THRU-HOLE PLATING THICKNESS - .001--.002.  
 TIN-LEAD THRU-HOLE PLATING THICKNESS - .0008--.0012 PORE FREE.  
 FINISHED HOLE DIMENSION - .030--.030 DIA.

#### 5. MARKING AS SHOWN.



REVISED		DATE	APPROVED
REV	DESCRIPTION		
A	INITIAL RELEASE (ESR 2405)	03-30-03	JWM

ALL DIMENSIONS ARE IN INCHES.  
 TOLERANCES UNLESS OTHERWISE SPECIFIED:  
 FRACTIONS DECIMALS ANGLES  
 .005 .001 .001

APPROVED		
DATE	BY	CHK
03/03	JUN	03-03
03/03	CH	03-03
03/03	DRJ	03-03
03/03	JUN	03-03

SOLDER CONNECTOR 50 PIN PLUG	
<b>AW/CDT</b> A DIVISION OF CABLE DESIGN TECHNOLOGIES	
DATE: NONE	REV. NO: 8550M-02-52SH
MOQ: 1000	REV. DATE: 03-10-99-0A
1 OF 1	