

REV		DESCRIPTION	DATE	APPROVED
A	INITIAL RELEASE		03-14-94	JWM
B	ADDED DAUGHTER CARD LAYOUT (ESR 2297)		09-16-02	JWM

REVISIONS

NOTES:

1. MATERIALS AND FINISH:

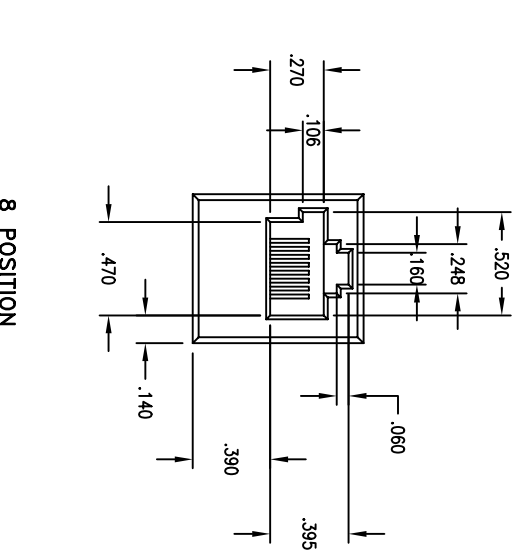
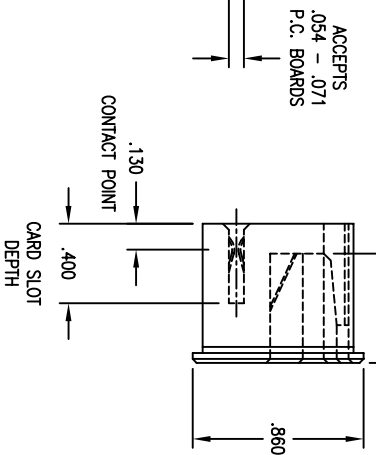
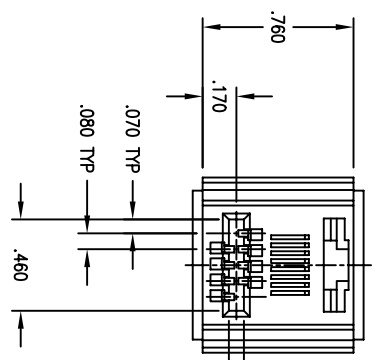
INSULATOR- GLASS FILLED THERMO-PLASTIC  
POLYESTER, 94V-0 RATED, BLACK.  
CONTACTS- BeCu XHM  
CONTACT PLATING- .000050 NI ON ENTIRE CONTACTN  
.000030 Au ON ALL ENGAGEMENT AREAS.

2. ELECTRICAL CHARACTERISTICS:

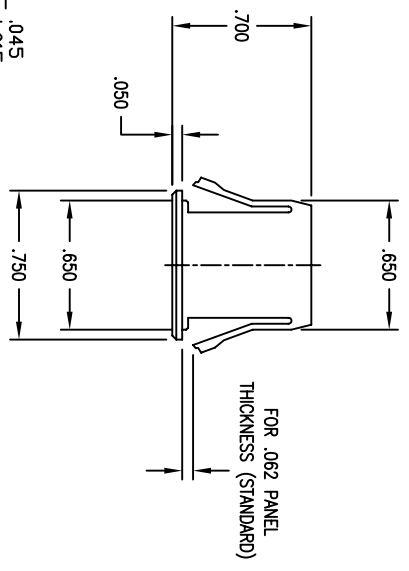
CONTACT RESISTANCE - 20 MILLIOHMS MAX.  
DIELECTRIC WITHSTANDING VOLTAGE- 1000 VAC.  
INSULATION RESISTANCE- 5000 MEGOHMS.  
CONTACT CURRENT RATING- 0.5 AMPS AT 30°C.

3. MECHANICAL CHARACTERISTICS:

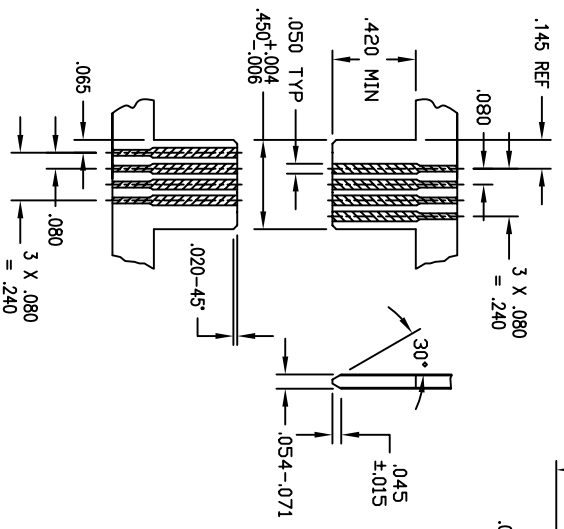
OPERATING TEMPERATURE- -55 TO +125°C.  
DURABILITY- PER BELLOCOE TR-NWT-000078.



8 POSITION  
KEYED  
(08KH)



FOR .062 PANEL  
THICKNESS (STANDARD)



RECOMMENDED DAUGHTER BOARD LAYOUT

APPROVED		DATE	
NAME	JWM	DATE	03-94
CHECKED	YL	DATE	03-94
QUALITY	CBW	DATE	03-94
APPROVED	JWM	DATE	03-94

ALL DIMENSIONS ARE IN INCHES.  
TOLERANCES:  
DECIMAL .XX ±.015  
.XXX ±.005  
ANGLE ±1/2°

THE INFORMATION, DATA, AND/OR SERVICES CONTAINED ON THIS DRAWING ARE PROPRIETARY TO A.W. INDUSTRIES AND MAY NOT BE COPIED, REPRODUCED OR DISCLOSED IN ANY MANNER WITHOUT THE WRITTEN PERMISSION OF A.W. INDUSTRIES.

**A.W. Industries, Incorporated**  
6788 N.W. 17th AVENUE  
Fort Lauderdale, FL 33309

SIZE: C  
SCALE: NONE  
DWG. NO.: 7608KH-154  
SHEET: 1 OF 1