

REVISIONS			
REV	DESCRIPTION	DATE	APPROVED
A	INITIAL RELEASE	07-23-97	JWM

**NOTES:**

**1. MATERIALS AND FINISH:**

INSULATOR- GLASS FILLED THERMO-PLASTIC  
POLYESTER, 94V-0 RATED, BLACK.

CONTACTS- CDA 725

CONTACT PLATING- .000030 AU OVER .000050 Ni ON  
CONTACT POINT, TAIL .000100 MATE FINISH 60/40 SnPb

**2. ELECTRICAL CHARACTERISTICS:**

CONTACT RESISTANCE:  
CONTACT TO DAUGHTER CARD- 10 MILLIOMHS .

OPERATING VOLTAGE- 1800 VDC.

INSULATION RESISTANCE- 5000 MEGOHMS.

CONTACT CURRENT RATING- 5 AMPS AT 30°C.

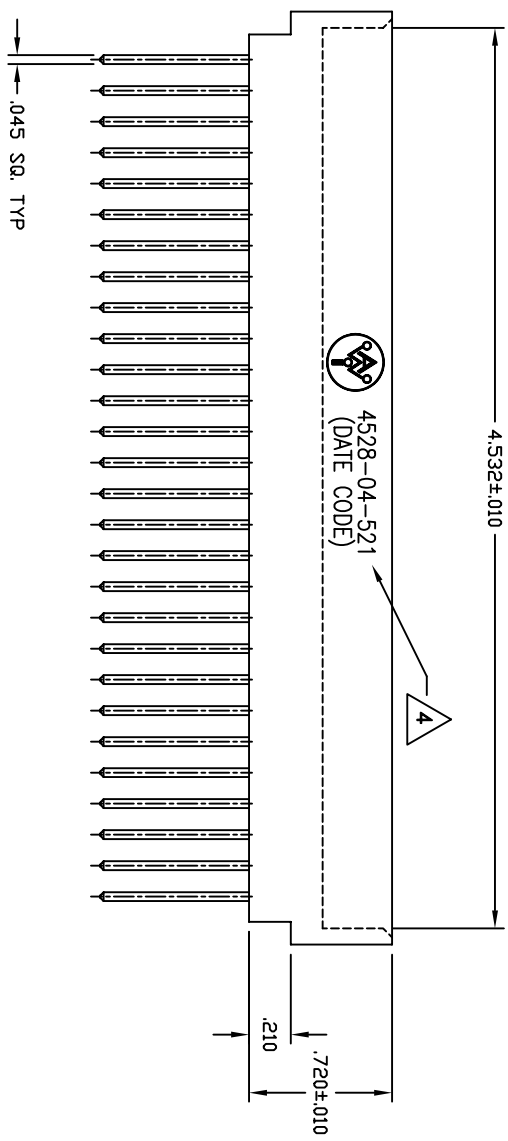
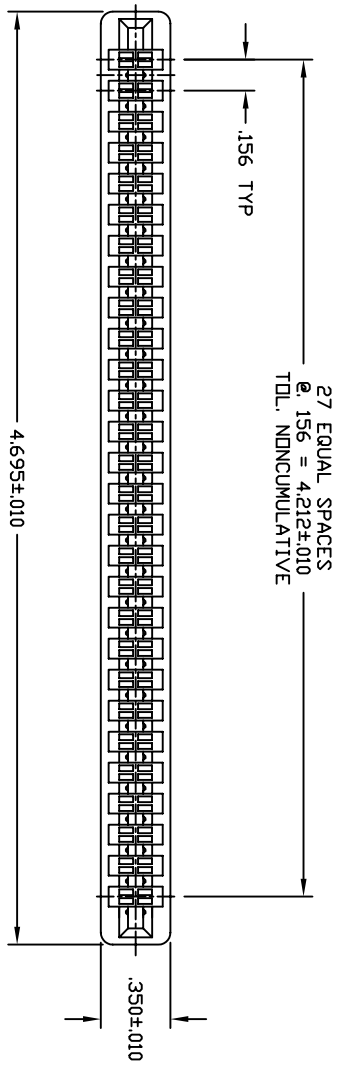
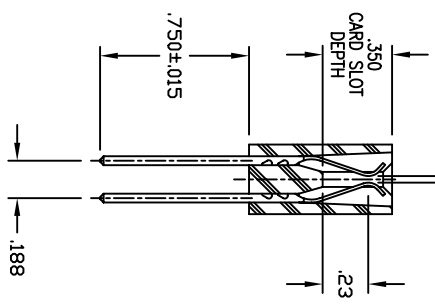
**3. MECHANICAL CHARACTERISTICS:**

OPERATING TEMPERATURE- -55 TO +125°C.

DURABILITY- PER BELLCORE TR-NWT-000078.

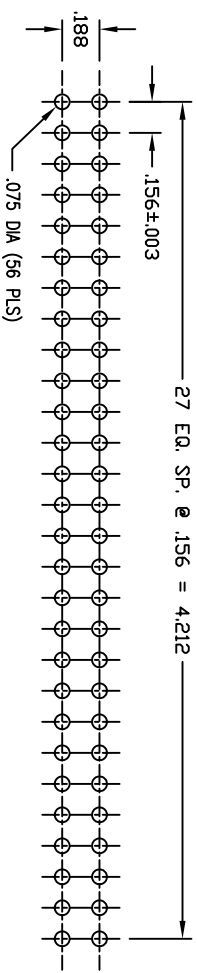
MARKING AS SHOWN.

ACCEPTS  
.054 - .071  
P.C. BOARD



**CUSTOMER DRAWING**

**RECOMMENDED PCB LAYOUT**



APPROVED	
NAME	DATE
JWM	07-97
JMP	07-97
CBW	07-97
JWM	07-97

THE INFORMATION, DATA AND/OR SERVICES CONTAINED ON THIS DRAWING ARE PROPRIETARY TO A.W. INDUSTRIES AND MAY NOT BE COPIED, REPRODUCED OR DISCLOSED IN ANY MANNER WITHOUT THE WRITTEN PERMISSION OF A.W. INDUSTRIES.

ALL DIMENSIONS ARE IN INCHES.

TOLERANCES:  
DECIMAL .XX ±.015  
.XXX ±.005  
ANGLE ±1/2°

**A.W. Industries, Incorporated**  
6788 N.W. 17th AVENUE  
Fort Lauderdale, FL 33309

CARD EDGE CONNECTOR  
.156 X .188 CENTERS

SIZE C  
SCALE NONE  
DWG. NO. 4528-04-521  
SHEET 1 OF 1