

NOTES:

1. MATERIALS AND FINISH:

INSULATOR- GLASS FILLED THERMO-PLASTIC
 POLYESTER, 94V-0 RATED, BLACK
 CONTRACTS- CDA 725
 CONTRACT PLATING- .000030 AU OVER .000050 Ni ON
 CONTRACT POINT, TAIL .000100 WHITE FINISH 60/40 Sph

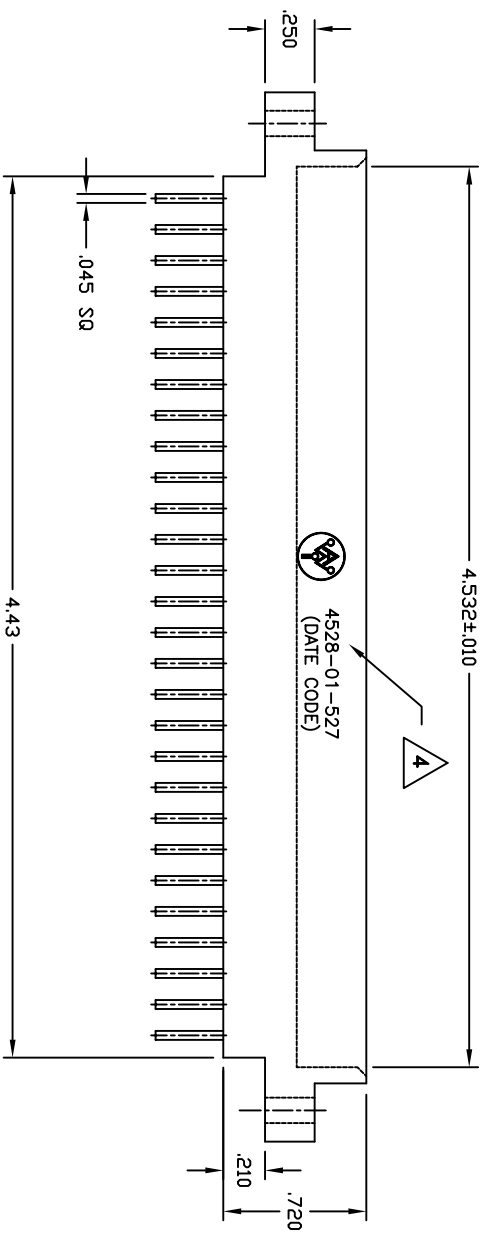
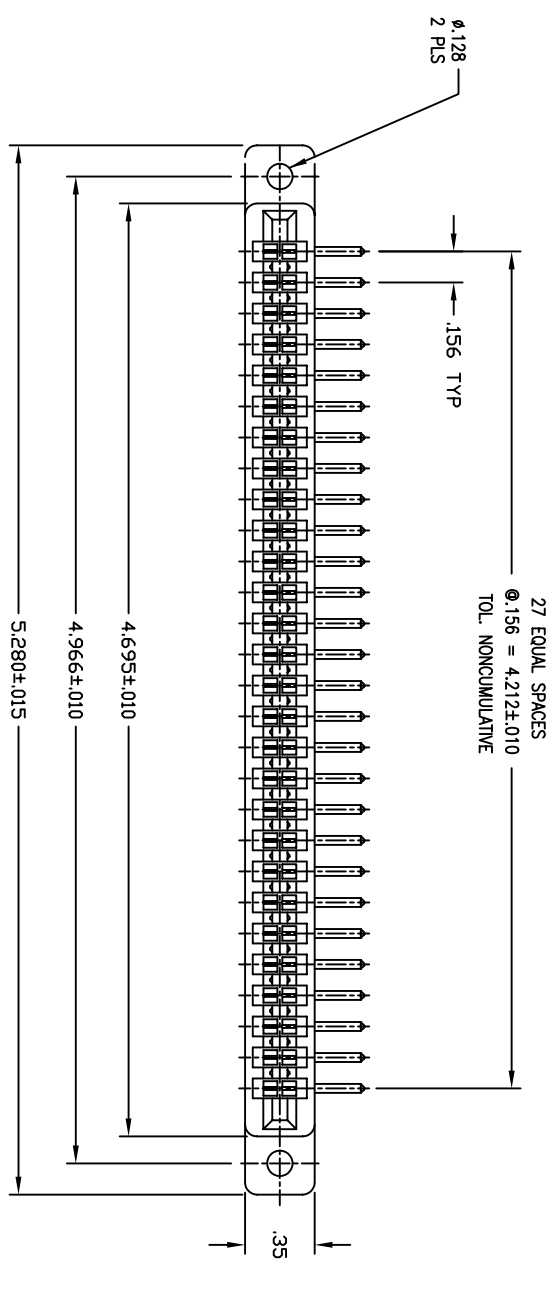
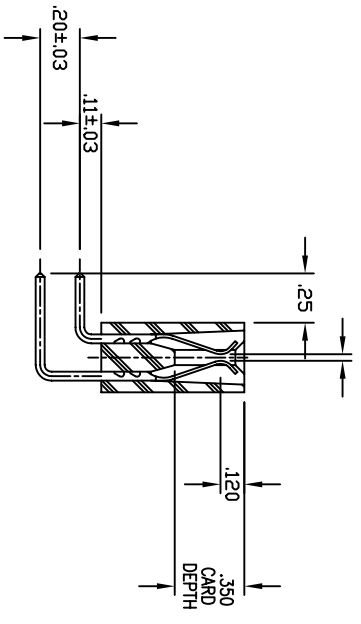
2. ELECTRICAL CHARACTERISTICS:

CONTACT RESISTANCE:
 CONTACT TO DAUGHTER CARD- 20 MILLIOHMS .
 OPERATING VOLTAGE- 1800 V RMS, 60 Hz.
 INSULATION RESISTANCE- 5000 MEGOHMS.
 CONTACT CURRENT RATING- 5 AMPS AT 30°C.

3. MECHANICAL CHARACTERISTICS:

OPERATING TEMPERATURE- -55 TO +125°C.
 DURABILITY- PER BELLCORE TR-NWT-000078.
 MARKING AS SHOWN.

ACCEPTS
 .054 - .071
 P.C. BOARD



REV		DESCRIPTION	DATE	APPROVED
A	INITIAL RELEASE (PER ESR 0622)		10-14-96	JWM

CUSTOMER DRAWING

APPROVED	
NAME	DATE
JWM	10-96
CHECKED YL	10-96
QUALITY WBK	10-96
APPROVED JWM	10-96

THE INFORMATION, DATA AND/OR SERVICE CONTAINED ON THIS DRAWING ARE PROPRIETARY TO A.W. INDUSTRIES AND MAY NOT BE COPIED, REPRODUCED OR DISCLOSED IN ANY MANNER WITHOUT THE WRITTEN PERMISSION OF A.W. INDUSTRIES.

ALL DIMENSIONS ARE IN INCHES.
 TOLERANCES:
 DECIMAL .XX ±.015
 ANGLE ±1/2°

A.W. Industries, Incorporated
 6788 N.W. 17th AVENUE
 Fort Lauderdale, FL 33309

CARD EDGE CONNECTOR .156 X .188
 28 POS. RIGHT ANGLE ON .200 CENTERS

SIZE C
 SCALE NONE
 FILE NO. 03-0392-0A
 SHEET 1 OF 1