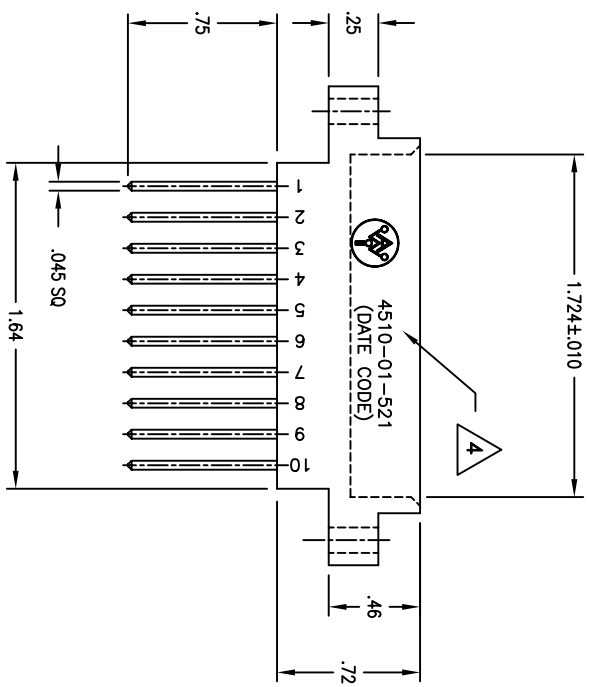
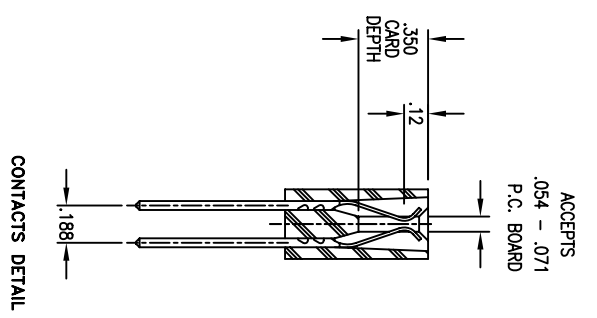
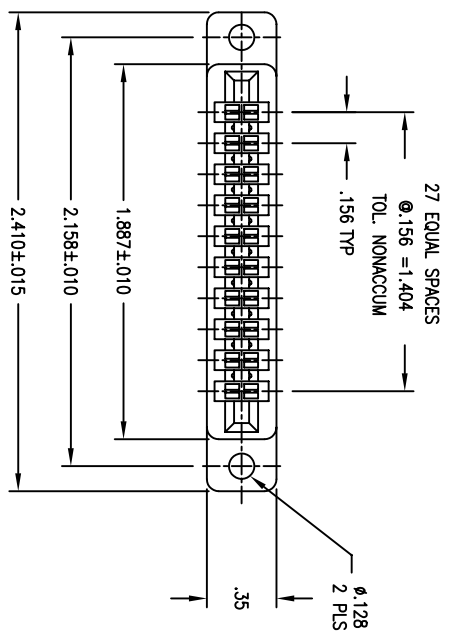


NOTES:

- 1. MATERIALS AND FINISH:**
INSULATOR- GLASS FILLED THERMO-PLASTIC
POLYESTER, 94W-0 RATED, BLACK.
CONTACTS- CDA 725
CONTACT PLATING- .000030 Au OVER .000050 Ni ON
CONTACT POINT, TAIL .000100 MATE FINISH 60/40 SnPb
- 2. ELECTRICAL CHARACTERISTICS:**
CONTACT RESISTANCE:
CONTACT TO DAUGHTER CARD- 20 MEGOHMS .
OPERATING VOLTAGE- 1800 V RMS, 60 Hz.
INSULATION RESISTANCE- 5000 MEGOHMS.
CONTACT CURRENT RATING- 5 AMPS AT 30°C.
- 3. MECHANICAL CHARACTERISTICS:**
OPERATING TEMPERATURE- -55° TO +125°C.
DURABILITY- PER BELLORE TR-NWT-000078.

MARKING AS SHOWN, LETTERS A - L ON FAR SIDE.

REV	DESCRIPTION	DATE	APPROVED
A	INITIAL RELEASE (PER ESR 0440)	04-04-96	JWM



CUSTOMER DRAWING

APPROVED	
NAME	DATE
DRWN JWM	04-96
CHEKED YL	04-96
QUALITY WBK	04-96
APPROVED JWM	04-96

ALL DIMENSIONS ARE IN INCHES.
TOLERANCES:
DECIMAL .XX ±.015
XXX ±.005
ANGLE ±1/2°

THE INFORMATION, DATA AND/OR SERVICES CONTAINED ON THIS DRAWING ARE PROPRIETARY TO A.W. INDUSTRIES AND MAY NOT BE COPIED, REPRODUCED OR DISCLOSED IN ANY MANNER WITHOUT THE WRITTEN PERMISSION OF A.W. INDUSTRIES.

A.W. Industries, Incorporated
6788 N.W. 17th AVENUE
Fort Lauderdale, FL 33309

CARD EDGE CONNECTOR .156 X .188

SIZE C
SCALE NONE
ACAD FILE NO. 03-0320-0A
SHEET 1 OF 1