

**NOTES:**

**1. MATERIAL:**

INSULATOR MATERIAL - GLASS FILLED THERMO-PLASTIC  
 POLYESTER, 94V-0 RATED, BLACK.

CONTACT MATERIAL - CDA 510.

CONTACT PLATING - .000030 Au OVER .000050 Ni ON  
 CONTACT POINT, TAIL AND COMPLIANT SECTION .000100  
 MATTE FINISH 60/40 SnPb.

**2. ELECTRICAL CHARACTERISTICS:**

CONTACT RESISTANCE:  
 CONTACT TO DAUGHTER CARD - 10 MILLIOHMS.

DIELECTRIC WITHSTANDING VOLTAGE - 1800 VAC.

INSULATION RESISTANCE - 5000 MEGOHMS.

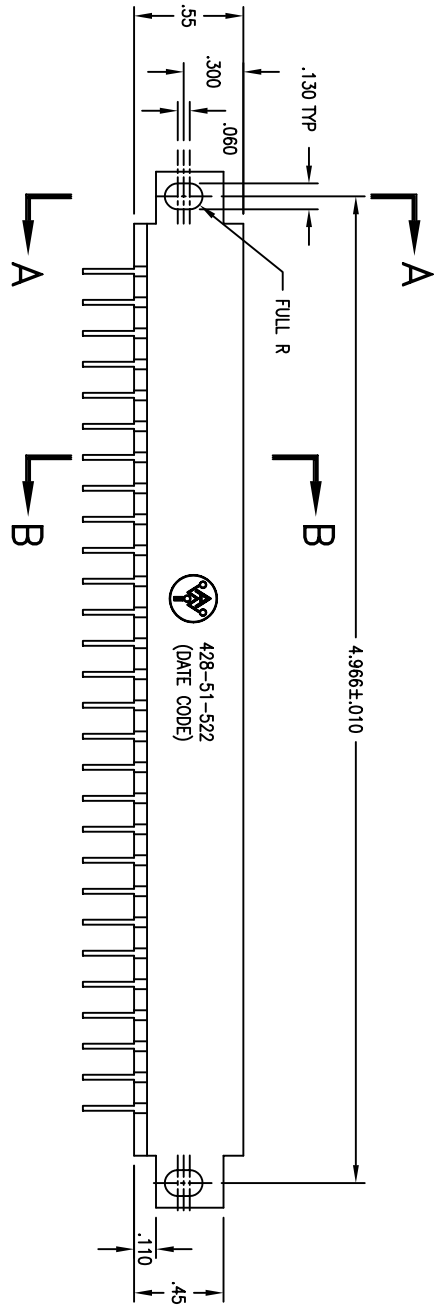
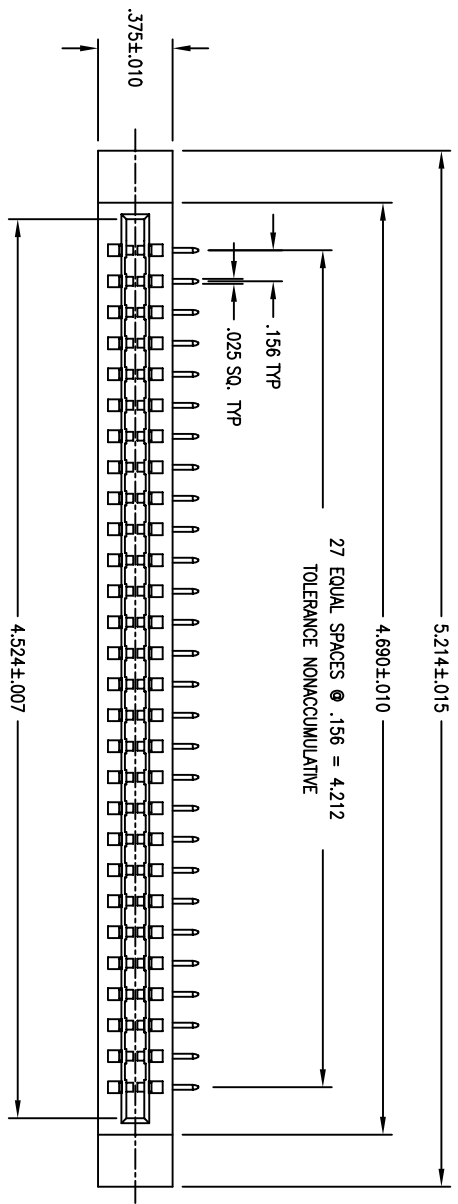
CONTACT CURRENT RATING - 3 AMPS AT 30°C.

**3. MECHANICAL CHARACTERISTICS:**

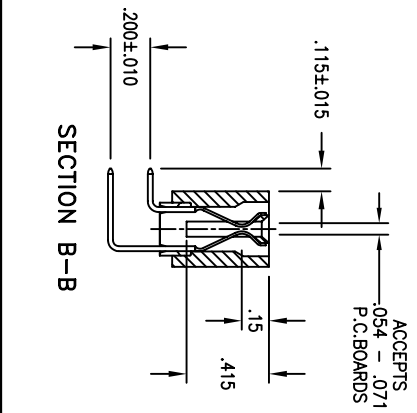
OPERATING TEMPERATURE - -55° TO +125°C.

DURABILITY - PER BELLCORE TR-NWT-000078.

REV		DESCRIPTION	DATE	APPROVED
A	INITIAL RELEASE	(ESR 0685)	11-26-96	JWM



**CUSTOMER DRAWING**



APPROVED	
NAME	DATE
DESIGN JWM	11-96
CHECKED JWM	11-96
QUALITY WBK	11-96
APPROVED JWM	11-96

THE INFORMATION, DATA AND/OR SERVICES CONTAINED ON THIS DRAWING ARE PROPRIETARY TO A.W. INDUSTRIES AND MAY NOT BE COPIED, REPRODUCED OR DISCLOSED IN ANY MANNER WITHOUT THE WRITTEN PERMISSION FROM A.W. INDUSTRIES.

ALL DIMENSIONS ARE IN INCHES.  
 TOLERANCES:  
 DECIMAL .XX ±.015  
 .XXX ±.005  
 ANGLE ±1/2°

**A.W. Industries, Incorporated**  
 6788 N.W. 17th AVENUE  
 Fort Lauderdale, FL 33309

TITLE: .156 CENTERS CARD EDGE CONNECTOR  
 28 POSITIONS - RIGHT ANGLE ON .200 CENTERS

SIZE: C  
 SCALE: NONE  
 DWG. NO.: 428-51-522  
 FILE NO.: 03-0429-0A  
 SHEET 1 OF 1