

NOTES:

1. MATERIALS AND FINISH:

INSULATOR- GLASS FILLED THERMO-PLASTIC
 POLYESTER, 94V-0 RATED, BLACK.
 NONSHORTING CONTACTS- PHOSPHOR BRONZE
 NONSHORTING CONTACT PLATING- .000030 Au OVER .000050 Ni ON
 CONTACT POINT, TAIL AND COMPLIANT SECTION .000100
 MATTE FINISH 60/40 SnPb.

2. ELECTRICAL CHARACTERISTICS:




CONTACT RESISTANCE:
 CONTACT TO DAUGHTER CARD- 10 MILLIOHMS.
 COMPLIANT SECTION TO P.T.H.- 2 MILLIOHMS.
 DIELECTRIC WITHSTANDING VOLTAGE- 1800 VAC.
 INSULATION RESISTANCE- 5000 MEGOHMS.
 CONTACT CURRENT RATING- 3 AMPS AT 30°C.

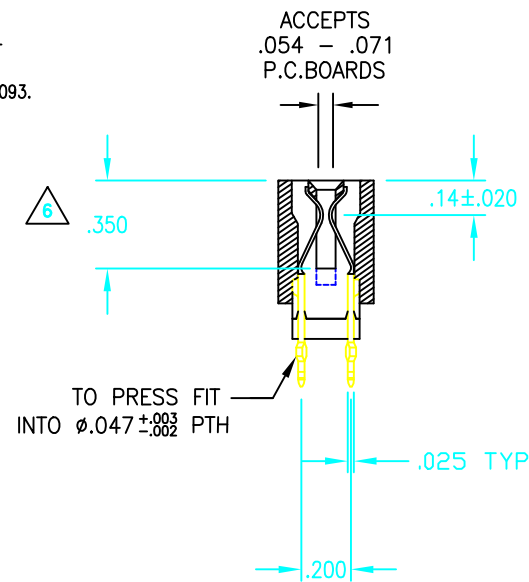
3. MECHANICAL CHARACTERISTICS:

OPERATING TEMPERATURE- -55° TO +125°C.
 DURABILITY- PER BELLCORE TR-NWT-000078.
 INSERTION FORCE- COMPLIANT SECTION 40 LBS MAX
 PER CONTACT.
 PUSHOUT FORCE- COMPLIANT SECTION 10 lbs
 MINIMUM PER CONTACT.

HOLE SIZE REQUIRMENTS:

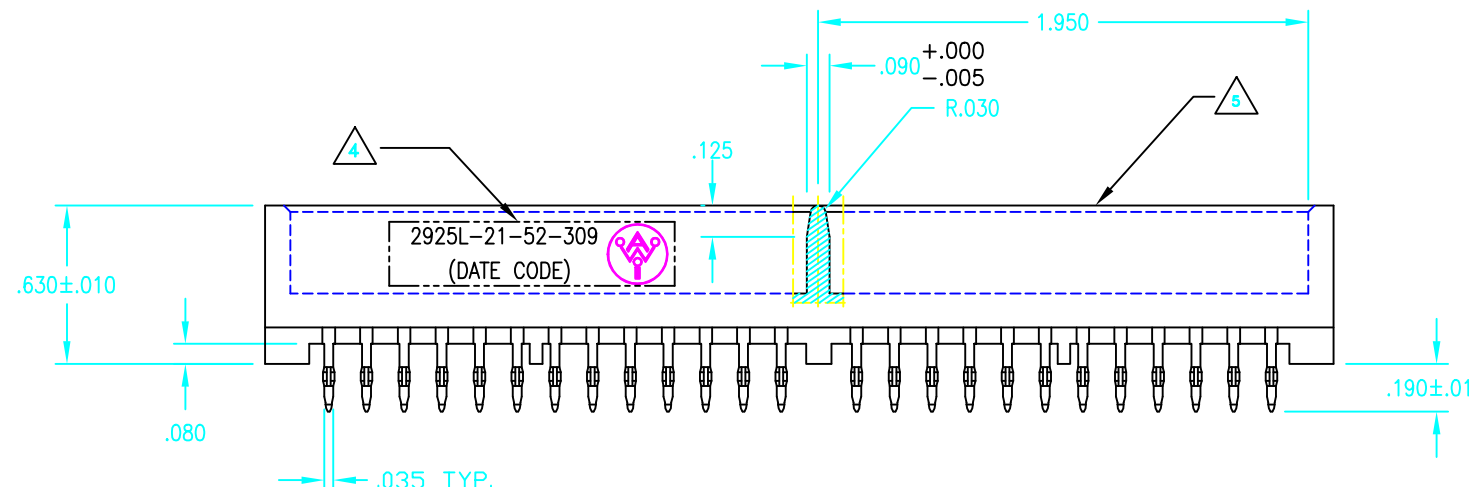
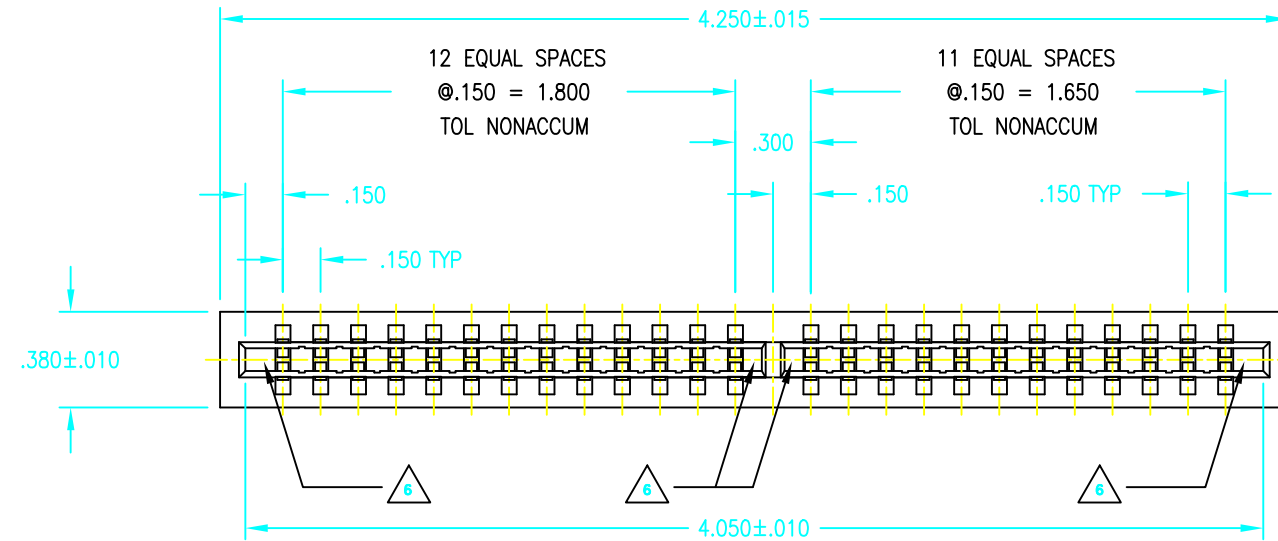
DRILLED HOLE DIA: .0533±.001
 COPPER PLATING: .001 TO .003
 TIN-LEAD PLATING: .0001 TO .0008
 FINISHED HOLE DIA: .047^{+.003}_{-.002}

-  MARKING AS SHOWN.
-  FLAT ROCK ASSEMBLE TO BACKPANEL
NO SPECIAL TOOLING REQUIRED.
BACKPANEL MIN. THICKNESS TO BE .093.
-  .350 CARD SLOT DEPTH CONTROLLED
BY THESE SURFACES.



CUSTOMER DRAWING

REVISIONS			
REV	DESCRIPTION	DATE	APPROVED
A	INITIAL RELEASE	12-22-95	JWM
B	SEE ECN 90436	11-11-97	JWM




APPROVED		
NAME	DATE	
DRAWN JWM	12-95	
CHECKED YL	12-95	
QUALITY WBK	12-95	
APPROVED JWM	12-95	

THE INFORMATION, DATA AND/OR SPECIFICATIONS CONTAINED ON THIS DOCUMENT ARE PROPRIETARY TO A.W. INDUSTRIES AND MAY NOT BE COPIED, DUPLICATED OR DISCLOSED IN PART OR WHOLE WITHOUT AUTHORIZATION IN WRITING FROM A.W. INDUSTRIES.

ALL DIMENSIONS ARE IN INCHES.

TOLERANCES:
 DECIMAL .XX ±.015
 .XXX ±.005
 ANGLE ±1/2°

TITLE COMPLIANT PIN PRESS FIT CARD EDGE CONNECTOR .150 X .200 CENTERS

 **A.W. Industries, incorporated**
 6788 N.W. 17th AVENUE
 Fort Lauderdale, FL 33309

SIZE C DWG. NO. 2925L-21-52-309
 SCALE NONE ACAD FILE NO. 03-0296-0B SHEET 1 OF 1