

REV	DESCRIPTION	DATE	APPROVED
A	INITIAL RELEASE (ESR 1329)	03-18-98	JWM

REVISIONS

NOTES:

1. MATERIALS AND FINISH:

INSULATOR - GLASS FILLED THERMO-PLASTIC
POLYESTER, UL 94V-0 RATED, BLACK.
CONTACT MATERIAL - PHOSPHOR BRONZE
CONTACT PLATING - .000030 in Au OVER .000050 in Ni ON
CONTACT POINT, TAIL .000100 in MATTE FINISH 60/40 Sn/Pb
OVER .000080 in Ni.

2. ELECTRICAL CHARACTERISTICS:

CONTACT RESISTANCE - 10 MILLIOHMS MAX.
DIELECTRIC WITHSTANDING VOLTAGE - 1800 VACMS AT SEA LEVEL.
INSULATION RESISTANCE - 5000 MEGOHMS MIN.
CONTACT CURRENT RATING - 3 AMPS AT 30°C.

3. MECHANICAL CHARACTERISTICS:

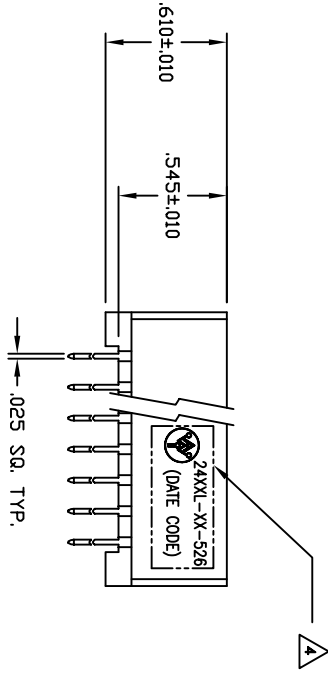
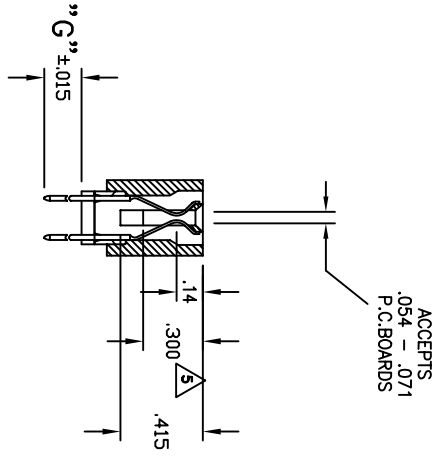
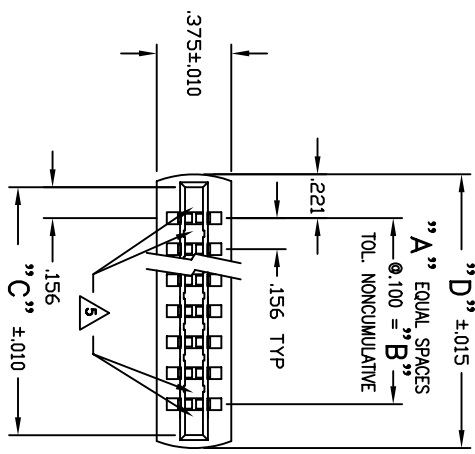
OPERATING TEMPERATURE - -55° TO +125°C.
DURABILITY - PER BELLCORE TR-NWT-000078.

MARKING AS SHOWN, WHITE INK.

.300 AND .350 CARD SLOT DEPTH CONTROLLED BY THESE SURFACES ONLY.

DIMENSIONS

	NUMBER OF EQUAL SPACES	(TO DETERMINE, SUBTRACT 1 FROM THE NUMBER OF DESIRED DUAL CONTACT POSITIONS)
A	NUMBER OF EQUAL SPACES X .156	
B	NUMBER OF EQUAL SPACES X .100 + .312	
C	NUMBER OF EQUAL SPACES X .100 + .442	
D	TERMINATION: SEE PART NUMBERING	



PART NUMBERING

24 30 L - 11 - 52 4 - 386

SERIES CODE (156 X .200)
NUMBER OF DUAL POSITIONS THROUGH 43
BODY STYLE L - W/O CARD SCOOPS
MOUNTING STYLE 4 - NO MOUNTING EARS
PLATING CODE (SEE NOTES) (Consult factory for other options)
VARIATION CODE 386 - .610 HIGH INSULATOR

CARD SLOT DEPTH (SEE NOTE 4)
1 - .415
2 - .350
3 - .300
TERMINATION (DIM "G"):
0 - .125
1 - .190
2 - .375
3 - .465
4 - .570
5 - .850/.700

CUSTOMER DRAWING

NAME	DATE
JWM	03-18
JMP	03-98
DKJ	03-98
JWM	03-98

ALL DIMENSIONS ARE IN INCHES.
TOLERANCES:
DECIMAL .XX ±.015
.XXX ±.005
ANGLE ±1/2°

TITLE: CARD EDGE CONNECTOR, .610 HIGH
.156 X .200 CENTERS, SOLDER PINS

A.W. Industries, Incorporated
6788 N.W. 17th AVENUE
Fort Lauderdale, FL 33309

DATE: 03-18-98
DRAWING NO: 24XXL-XX-524-386
SCALE: NONE
SHEET: 1 OF 1