

NOTES:

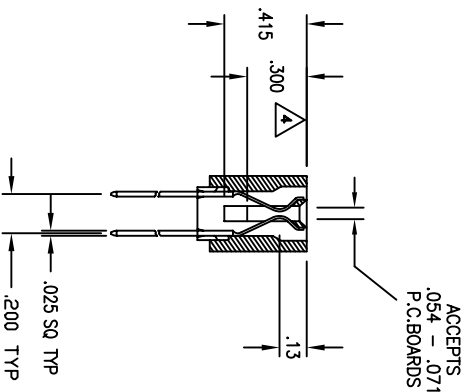
- 1. MATERIALS AND FINISH:**
INSULATOR - GLASS FILLED THERMO-PLASTIC POLYESTER, 94W-0 RATED, BLACK.
CONTACT MATERIAL - COPPER ALLOY.
CONTACT PLATING - .000030 Au OVER .000050 Ni ON CONTACT POINT, TAIL .000100 MATE FINISH 60/40 SnPb.

- 2. ELECTRICAL CHARACTERISTICS:**
CONTACT RESISTANCE:
CONTACT TO DAUGHTER CARD - 10 MILLIOHMS.
DIELECTRIC WITHSTANDING VOLTAGE - 1000 VAC.
INSULATION RESISTANCE - 5000 MEGOHMS.
CONTACT CURRENT RATING - 3 AMPS AT 30°C.

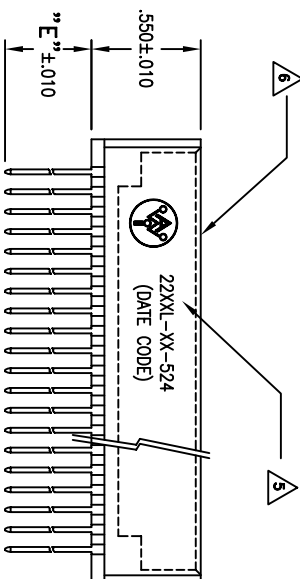
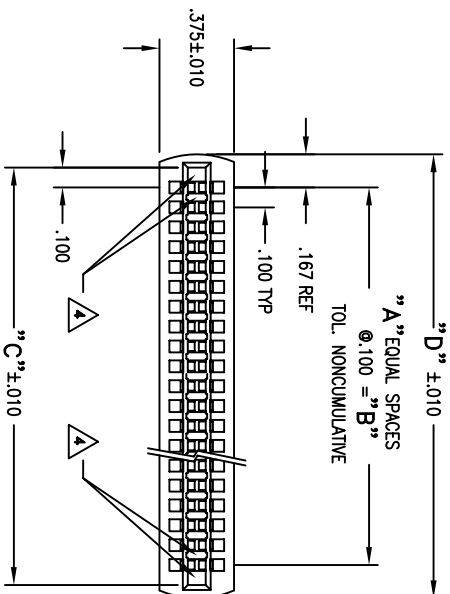
- 3. MECHANICAL CHARACTERISTICS:**
OPERATING TEMPERATURE - -55° TO +125°C.
DURABILITY - PER BELLCORE TR-NWT-000078.
.300 AND .350 CARD SLOT DEPTH CONTROLLED BY THESE POSITIONS ONLY.
MARKING AS SHOWN, WHITE INK.

Letter	Description
A	NUMBER OF EQUAL SPACES (TO DETERMINE, SUBTRACT 1 FROM THE NUMBER OF DESIRED EQUAL CONTACT POSITIONS)
B	NUMBER OF EQUAL SPACES X .100
C	NUMBER OF EQUAL SPACES X .100 + .200
D	NUMBER OF EQUAL SPACES X .100 + .334
E	TAIL LENGTH: SEE PART NUMBERING

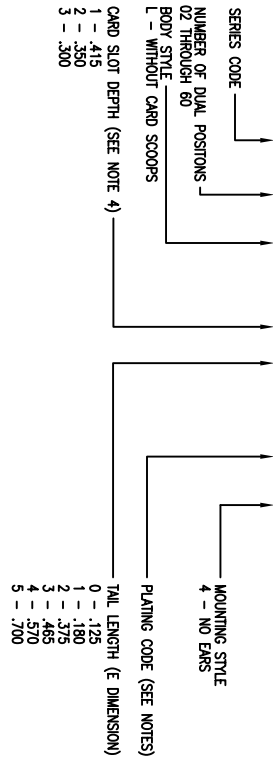
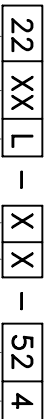
DIMENSIONS



ACCEPTS
.034 - .071
P.C. BOARDS



PART NUMBERING



CUSTOMER DRAWING

SOLDER PIN CARD EDGE CONNECTOR
.100 X .200 CENTERS



A.W. Industries, Incorporated
6788 N.W. 17th AVENUE
Fort Lauderdale, FL 33309

APPROVED	
NAME	DATE
DRAWN JWM	10-96
CHECKED YL	10-96
QUALITY WBK	10-96
APPROVED JWM	10-96

THE INFORMATION, DATA AND/OR SPECIFICATIONS CONTAINED ON THIS DRAWING ARE PROPRIETARY TO A.W. INDUSTRIES AND MAY NOT BE COPIED, REPRODUCED OR DISCLOSED IN ANY MANNER WITHOUT THE WRITTEN PERMISSION OF A.W. INDUSTRIES.

ALL DIMENSIONS ARE IN INCHES.

TOLERANCES:
DECIMAL .XX ±.015
.XXX ±.005
ANGLE ±1/2°

SIZE C SCALE NONE
DWG. NO. 22XXL-XX-524
SHEET 1 OF 1

REV	DESCRIPTION	DATE	APPROVED
A	INITIAL RELEASE (ESR 0520)	07-09-96	JWM
B	SEE ECN 90394	10-28-96	JWM

REVISIONS