

REVISIONS			
REV	DESCRIPTION	DATE	APPROVED
A	PRELIMINARY	09-20-96	JWM

NOTES:

- 1. MATERIAL:**
- INSULATOR- GLASS FILLED THERMO-PLASTIC POLYESTER, 94V-0 RATED, BLACK.
 - NONSHORTING CONTACT- CDA 510.
 - NONSHORTING CONTACT PLATING- .000030 Au OVER .000050 Ni ON CONTACT POINT, TAIL AND COMPLIANT SECTION .000100 MATTE FINISH 60/40 SnPb.
- 2. ELECTRICAL CHARACTERISTICS:**
- CONTACT RESISTANCE- CONTACT TO DAUGHTER CARD- 10 MILLIOHMS. COMPLIANT SECTION TO P.T.H.- 2MILLIOHMS.
 - DIELECTRIC WITHSTANDING VOLTAGE- 1500 VDC.
 - INSULATION RESISTANCE- 5000 MEGOHMS.
 - CONTACT CURRENT RATING- 3 AMPS AT 25°C.

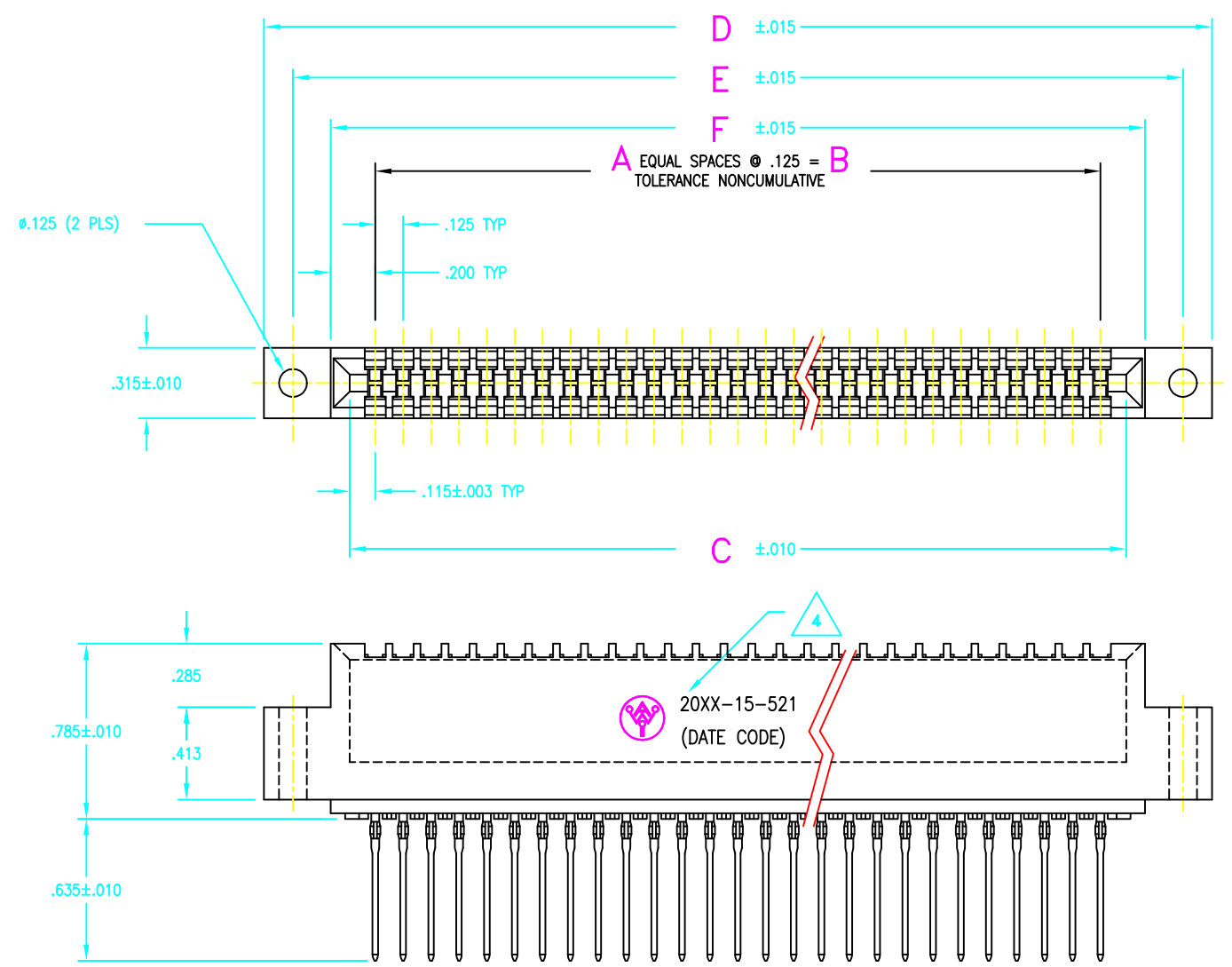
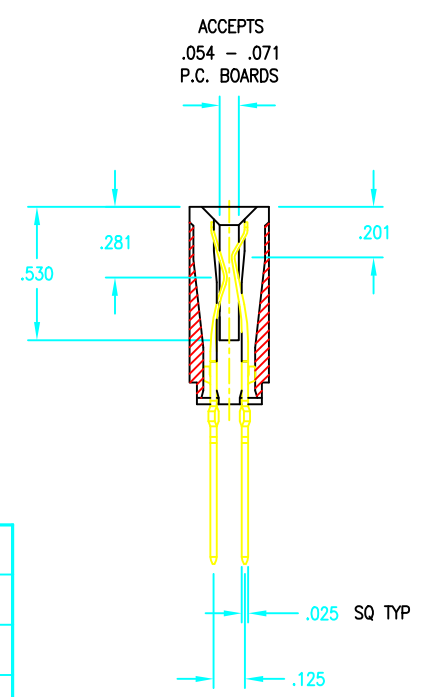
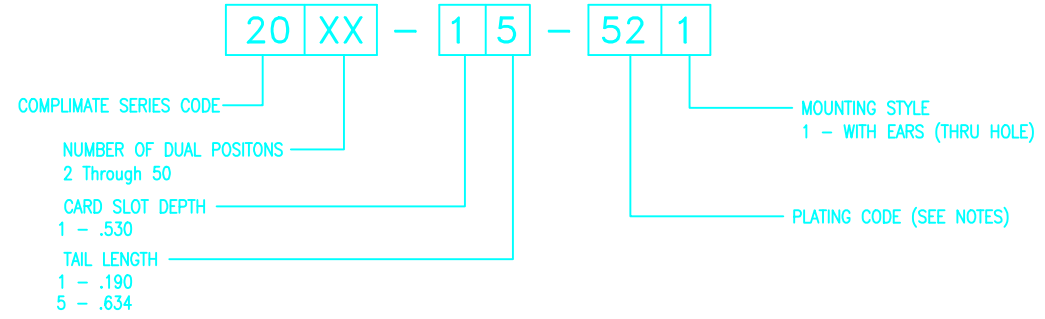
- 3. MECHANICAL CHARACTERISTICS:**
- OPERATING TEMPERATURE- -55° TO +125°C.
 - DURABILITY- PER BELLCORE TR-NWT-000078.
 - INSERTION FORCE- COMPLIANT SECTION 40 lbs MAXIMUM PER CONTACT.
 - WITHDRAWAL FORCE- COMPLIANT SECTION 10 lbs MINIMUM PER CONTACT.
 - HOLE SIZE REQUIRMENTS: DRILLED HOLE DIA: .0453±.001. PLATING: .001 TO .003 COPPER AND .0001 TO .0008 SOLDER.
 - FINISHED HOLE DIA: .040±.003.

4 MARKING AS SHOWN.

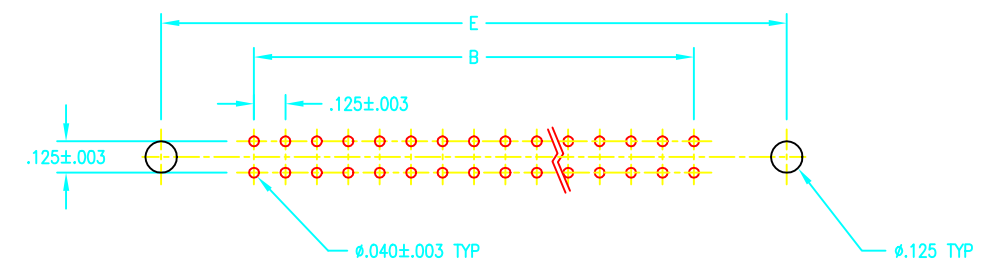
DIMENSIONS

A	NUMBER OF EQUAL SPACES
B	NUMBER OF EQUAL SPACES X .125
C	NUMBER OF EQUAL SPACES X .125 + .230
D	NUMBER OF EQUAL SPACES X .125 + 1.000
E	NUMBER OF EQUAL SPACES X .125 + .740
F	NUMBER OF EQUAL SPACES X .125 + .400

PART NUMBERING



RECOMMENDED HOLES LAYOUT



APPROVED		NAME		DATE	
DRAWN	JWM	09-96	CHECKED	YL	09-96
QUALITY	WBK	09-96	APPROVED	JWM	09-96

THE INFORMATION, DATA AND/OR SPECIFICATIONS CONTAINED ON THIS DOCUMENT ARE PROPRIETARY TO A.W. INDUSTRIES AND MAY NOT BE COPIED, DUPLICATED OR DISCLOSED IN PART OR WHOLE WITHOUT AUTHORIZATION IN WRITING FROM A.W. INDUSTRIES.

ALL DIMENSIONS ARE IN INCHES.

TOLERANCES:

DECIMAL .XX ±.015
.XXX ±.005

ANGLE ±1/2"

TITLE: COMPLIANT PIN PRESS FIT CARD EDGE CONNECTOR .125 X .125 CENTERS

A.W. Industries, incorporated
6788 N.W. 17TH AVENUE
Fort Lauderdale, FL 33309

SIZE C DWG. NO. 20XX-15-521
SCALE NONE ACAD FILE NO. 03-0375-0A SHEET 1 OF 1