

**NOTES:**

**1. MATERIALS AND FINISH:**

INSULATOR- GLASS FILLED THERMO-PLASTIC  
 POLYESTER, 94V-0 RATED, BLACK.  
 CONTACTS- COPPER ALLOY  
 CONTACT PLATING- .000030 Au OVER .000050 Ni ON  
 CONTACT POINT, TAIL .000100 MATTE FINISH 60/40 SnPb.

**2. ELECTRICAL CHARACTERISTICS:**

CONTACT RESISTANCE:  
 CONTACT TO DAUGHTER CARD- 10 MILLIOHMS.  
 OPERATING VOLTAGE- 1500 VDC  
 INSULATION RESISTANCE- 5000 MEGOHMS.  
 CONTACT CURRENT RATING- 5 AMPS AT 30°C.

**3. MECHANICAL CHARACTERISTICS:**

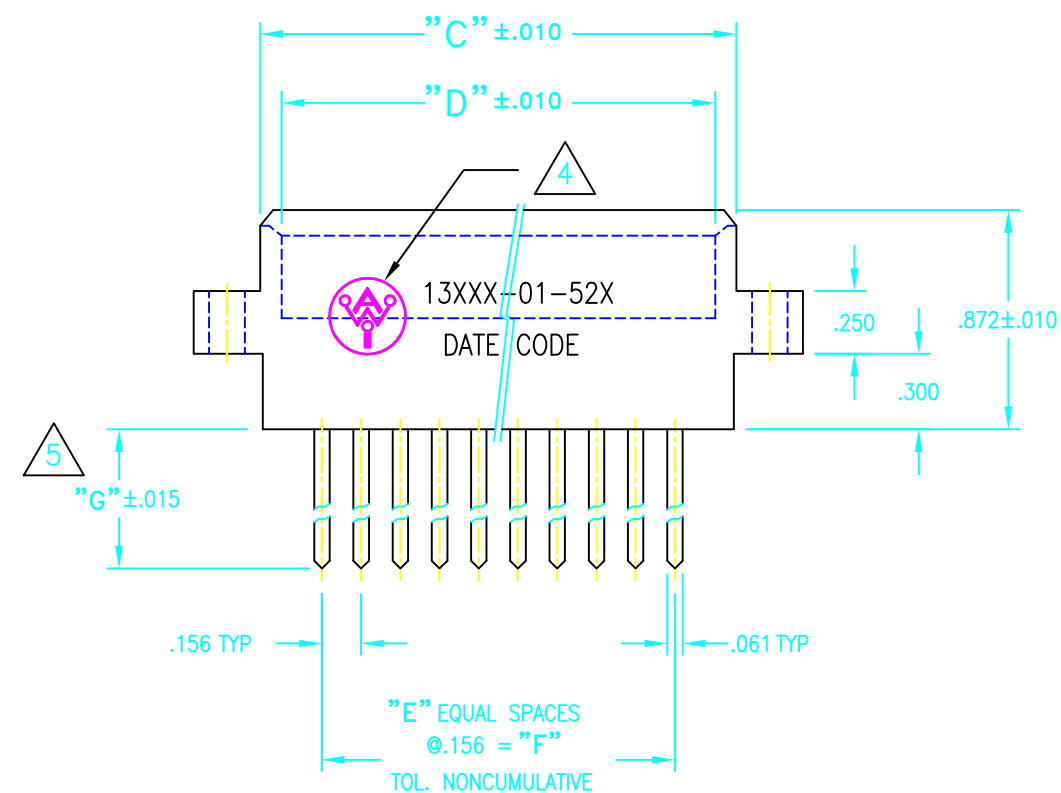
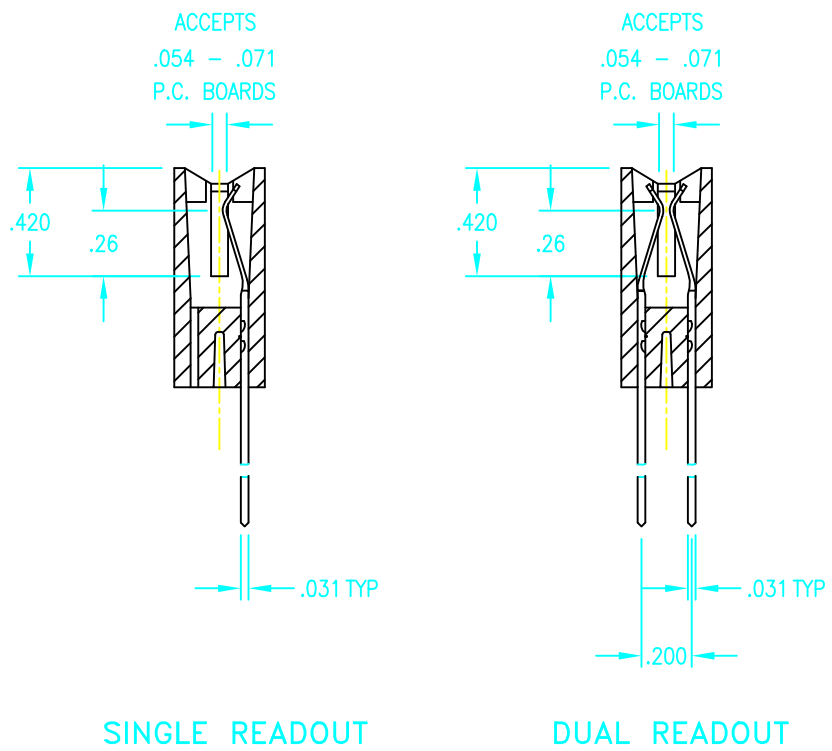
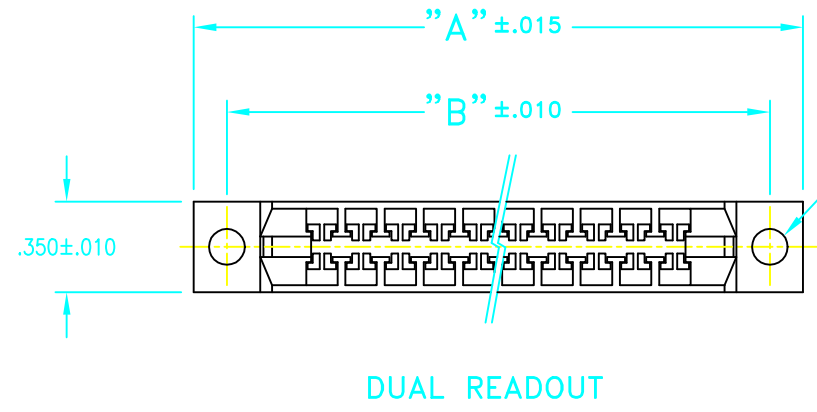
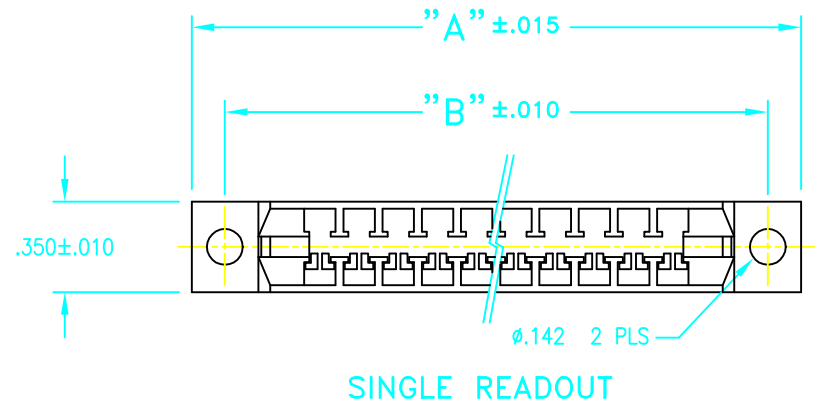
OPERATING TEMPERATURE- -55° TO +125°C.  
 DURABILITY- PER BELLCORE TR-NWT-000078.

4 MARKING AS SHOWN.


5 TAIL LENGTH ("X" IN AWI P/N)  
 1 - .750  
 2 - .570  
 3 - .200

AWI PART NUMBER	NO. OF POSITIONS	"E" SPACES	DIMENSIONAL DATA						DESCRIPTION
			"A"	"B"	"C"	"D"	"F"	"G"	
1310S-01-52X	10	9	2.425	2.156	1.900	1.724	1.404	TAIL LENGTH SEE NOTE 5	SINGLE READOUT
1310-01-52X	10	9	2.425	2.156	1.900	1.724	1.404		DUAL READOUT
1315S-01-52X	15	14	3.205	2.940	2.675	2.504	2.184		SINGLE READOUT
1315-01-52X	15	14	3.205	2.940	2.675	2.504	2.184		DUAL READOUT
1322S-01-52X	22	21	4.295	4.032	3.765	3.596	3.276		SINGLE READOUT
1322-01-52X	22	21	4.295	4.032	3.765	3.596	3.276		DUAL READOUT

REVISIONS			
REV	DESCRIPTION	DATE	APPROVED
A	INITIAL RELEASE (ESR 0412)	03-07-96	JWM



CUSTOMER DRAWING

APPROVED		THE INFORMATION, DATA AND/OR SPECIFICATIONS CONTAINED ON THIS DOCUMENT ARE PROPRIETARY TO A.W. INDUSTRIES AND MAY NOT BE COPIED, DUPLICATED OR DISCLOSED IN PART OR WHOLE WITHOUT AUTHORIZATION IN WRITING FROM A.W. INDUSTRIES.  ALL DIMENSIONS ARE IN INCHES.  TOLERANCES: DECIMAL .XX ±.015 .XXX ±.005  ANGLE ±1/2°	TITLE CARD EDGE CONNECTOR .156 X .200	
NAME	DATE		 A.W. Industries, incorporated 6788 N.W. 17th AVENUE Fort Lauderdale, FL 33309	
DRAWN	JWM 03-96			SIZE C
CHECKED	YL 03-96		DWG. NO. 13XXX-01-52X	
QUALITY	WBK 03-96		SCALE NONE	
APPROVED	JWM 03-96		ACAD FILE NO. 03-0313-0A	SHEET 1 OF 1