

REVISIONS			
REV	DESCRIPTION	DATE	APPROVED
A	INITIAL RELEASE (ESR 0336)	12-14-95	JWM

**NOTES:**

**1. MATERIALS AND FINISH:**

INSULATOR- GLASS FILLED THERMO-PLASTIC  
 POLYESTER, 94V-0 RATED, BLACK.  
 CONTACTS- CDA 725  
 CONTACT PLATING- .000030 Au OVER .000050 Ni ON  
 CONTACT POINT, TAIL .000100 MATTE FINISH 60/40 SnPb.

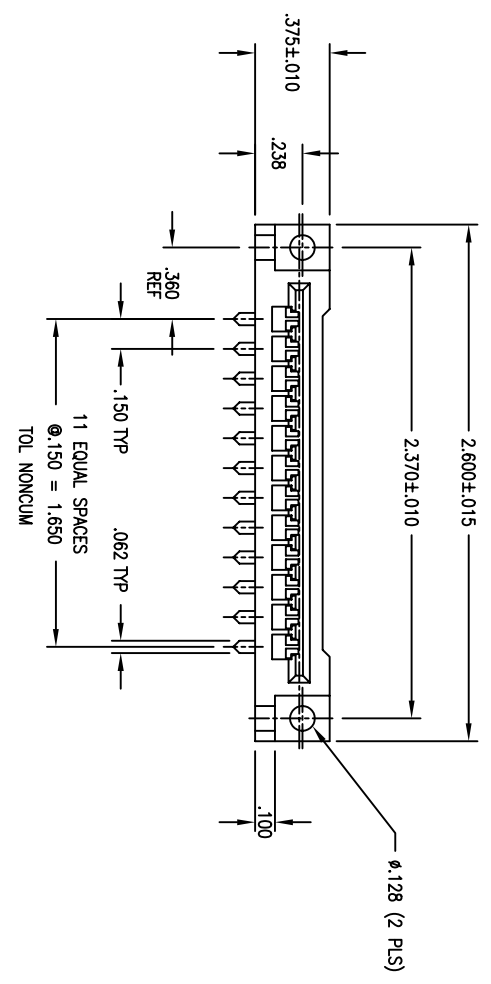
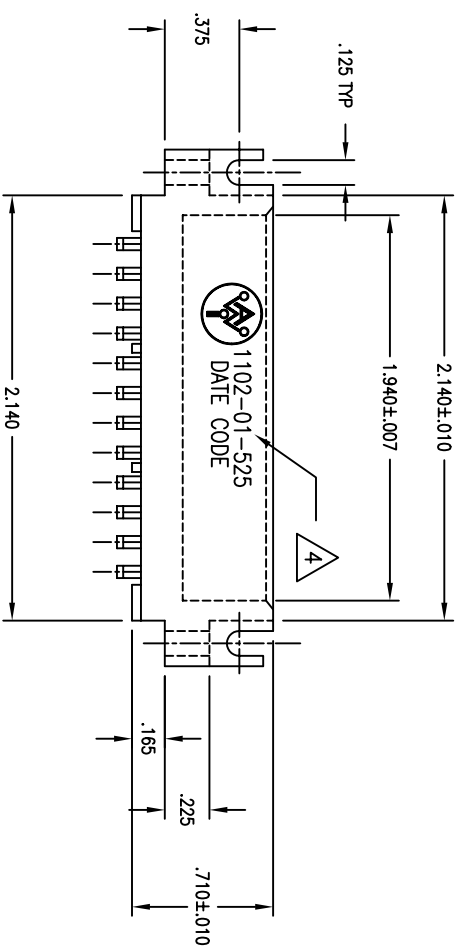
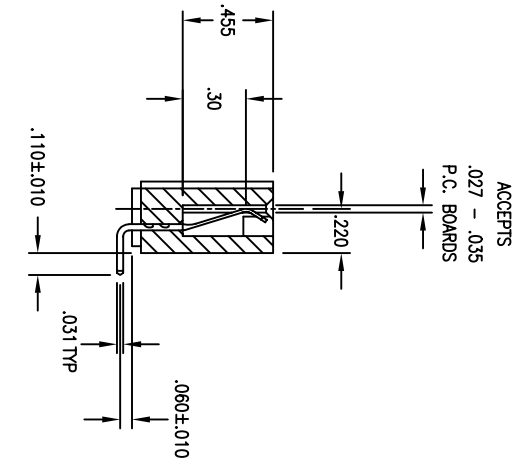
**2. ELECTRICAL CHARACTERISTICS:**

CONTACT RESISTANCE:  
 CONTACT TO DAUGHTER CARD- 10 MILLISECS.  
 OPERATING VOLTAGE- 1500 VDC  
 INSULATION RESISTANCE- 5000 MEGOHMS.  
 CONTACT CURRENT RATING- 5 AMPS AT 30°C.

**3. MECHANICAL CHARACTERISTICS:**

OPERATING TEMPERATURE- -55 TO +125°C.  
 DURABILITY- PER BELLCORE TR-NW-000078.  
 INSERTION FORCE- 16 OZ MAX PER CONTACT  
 WITH .036 THICK TEST BLADE.  
 WITHDRAWAL- 2 OZ MIN PER CONTACT  
 WITH .027 THICK TEST BLADE.  
 PUSHOUT FORCE- 8 LBS MIN PER CONTACT.

**4** MARKING AS SHOWN.



**CUSTOMER DRAWING**

APPROVED	
NAME	DATE
DESIGN JWM	12-95
CHECKED YL	12-95
QUALITY WBK	12-95
APPROVED JWM	12-95

ALL DIMENSIONS ARE IN INCHES.  
 TOLERANCES:  
 DECIMAL .XX ±.015  
 .XXX ±.005  
 ANGLE ±1/2°

THE INFORMATION, DATA AND/OR SERVICES CONTAINED ON THIS DRAWING ARE PROPRIETARY TO A.W. INDUSTRIES AND MAY NOT BE COPIED, REPRODUCED OR DISCLOSED IN ANY MANNER WITHOUT THE WRITTEN PERMISSION OF A.W. INDUSTRIES.

**A.W. Industries, Incorporated**  
 6788 N.W. 17th AVENUE  
 Fort Lauderdale, FL 33309

CARD EDGE CONNECTOR .150 CENTERS  
 SINGLE ROW, RIGHT ANGLE

SIZE C  
 SCALE NONE  
 DWG. NO. 1102-01-525  
 ACAD FILE NO. 03-0294-0A  
 SHEET 1 OF 1