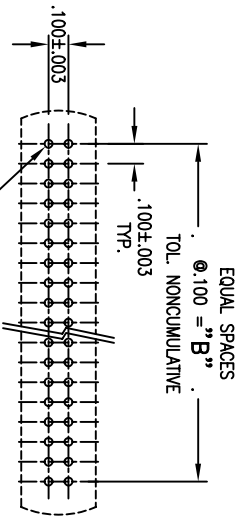
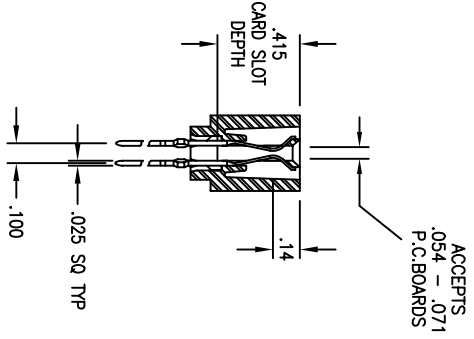


NOTES:

- MATERIALS AND FINISH:**
INSULATOR- GLASS FILLED THERMO-PLASTIC
POLYESTER, 94W-0 RATED, BLACK
CONTACT MATERIAL- PHOSPHOR BRONZE
CONTACT PLATING- .000030 AU OVER .000050 NI ON
CONTACT POINT, TAIL AND COMPLIANT SECTION .000100
MATE FINISH 80/40 S.P.B.
- ELECTRICAL CHARACTERISTICS:**
CONTACT RESISTANCE:
CONTACT TO DAUGHTER CARD- 10 MEGOHMS,
COMPLIANT SECTION TO P.T.H.- 2 MEGOHMS.
ELECTRIC WITHSTANDING VOLTAGE- 1000 VAC.
INSULATION RESISTANCE- 5000 MEGOHMS.
CONTACT CURRENT RATING- 3 AMPS AT 30°C.
- MECHANICAL CHARACTERISTICS:**
OPERATING TEMPERATURE - -55° TO +125°C.
DURABILITY - PER BELLCORE TR-NWT-000078.
P.C. BOARD INSERTION FORCE - 18 OZ PER CONTACT PAIR
MAXIMUM WITH .071 THICK TEST GAUGE.
P.C. BOARD WITHDRAWAL FORCE - 1 OZ PER CONTACT PAIR
MINIMUM WITH .054 THICK TEST GAUGE.
INSERTION FORCE - COMPLIANT SECTION 40 lbs
MAXIMUM PER CONTACT.
WITHDRAWAL FORCE - COMPLIANT SECTION 10 lbs
MINIMUM PER CONTACT.
HOLE SIZE REQUIREMENTS:
DRILLED HOLE DIA. .0453±.001
PLATING: .001 TO .003 COPPER AND
.0001 TO .0008 SOLDER.
FINISHED HOLE DIA. .049±.003.



RECOMMENDED PCB LAYOUT



DIMENSIONS

A	NUMBER OF EQUAL SPACES	(TO DETERMINE, SUBTRACT 1 FROM THE NUMBER OF DESIRED DUAL CONTACT POSITIONS)
B	NUMBER OF EQUAL SPACES	X .100
C	NUMBER OF EQUAL SPACES	X .100 + .200
D	NUMBER OF EQUAL SPACES	X .100 + .334
E	TAIL LENGTH:	SEE PART NUMBERING

PART NUMBERING

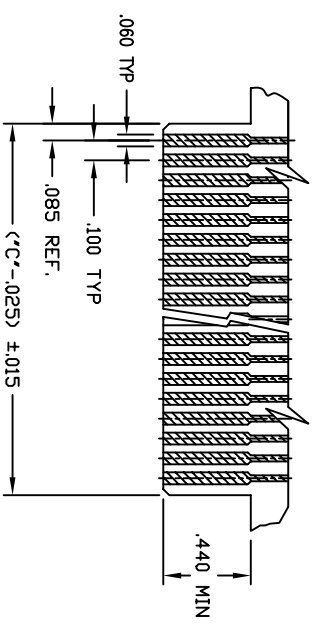
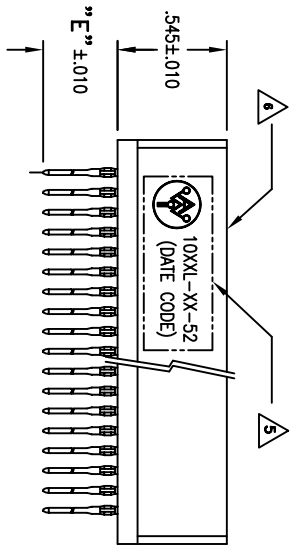
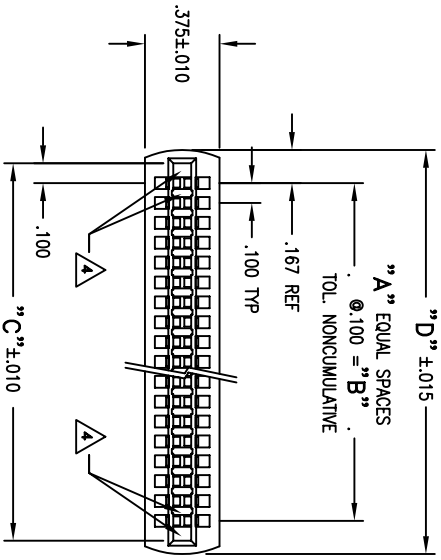


- SERIES CODE
- NUMBER OF DUAL POSITIONS 02 THROUGH 80
- BODY STYLE L - WITHOUT CARD SCOOPS
- CARD SLOT DEPTH (SEE NOTE 4)
- 1 - .415
- 2 - .350
- 3 - .300

- PLATING CODE (SEE NOTES)
- 1 - .180
- 2 - .375
- 3 - .465
- 4 - .570
- 5 - .710

CUSTOMER DRAWING

REV	DESCRIPTION	DATE	APPROVED
A	INITIAL RELEASE (ESR 1049)	08-15-97	JWM
B	REVISED PER ESR 1896	01-24-00	JWM



RECOMMENDED DAUGHTER BOARD LAYOUT

APPROVED	
NAME	DATE
JWM	08-97
CHECKED	JMP
QUALITY	DKJ
APPROVED	JWM
	08-97

ALL DIMENSIONS ARE IN INCHES.
TOLERANCES:
DECIMAL .XX ±.015
.XXX ±.005
ANGLE ±1/2°

THE INFORMATION, DATA AND/OR SERVICE CONTAINED ON THIS DRAWING ARE PROPRIETARY TO A.W. INDUSTRIES AND MAY NOT BE COPIED, REPRODUCED OR DISCLOSED IN ANY MANNER WITHOUT THE WRITTEN PERMISSION OF A.W. INDUSTRIES.

A.W. Industries, Incorporated
6788 N.W. 17th AVENUE
Fort Lauderdale, FL 33309

COMPLIANT PIN PRESS FIT CARD EDGE CONNECTOR .100 X .100 CENTERS

SIZE C
SCALE NONE
DWG. NO. 10XXL-XX-52
4200 FILE NO. 03-0538-0B
SHEET 1 OF 1